

5

LINEACINQUE



LINEA CINQUE

Pannelli imbottiti e pannelli rigidi rivestiti, con eco-pelle altamente selezionata, possono essere utilizzati in diverse soluzioni di arredo decorativo e funzionale. I pannelli sono di varie misure: vengono posizionati a parete con un semplice e rapido sistema di montaggio.

I banchi cassa possono essere foderati con pannelli imbottiti. Mensole in legno e plexiglas, cassettiere ed accessori completano questa linea di arredo.

Questo sistema riscontra interesse non solo nei negozi di moda, ma anche nell'arredo di spazi dedicati alla ristorazione o all'intrattenimento.

LINE FIVE

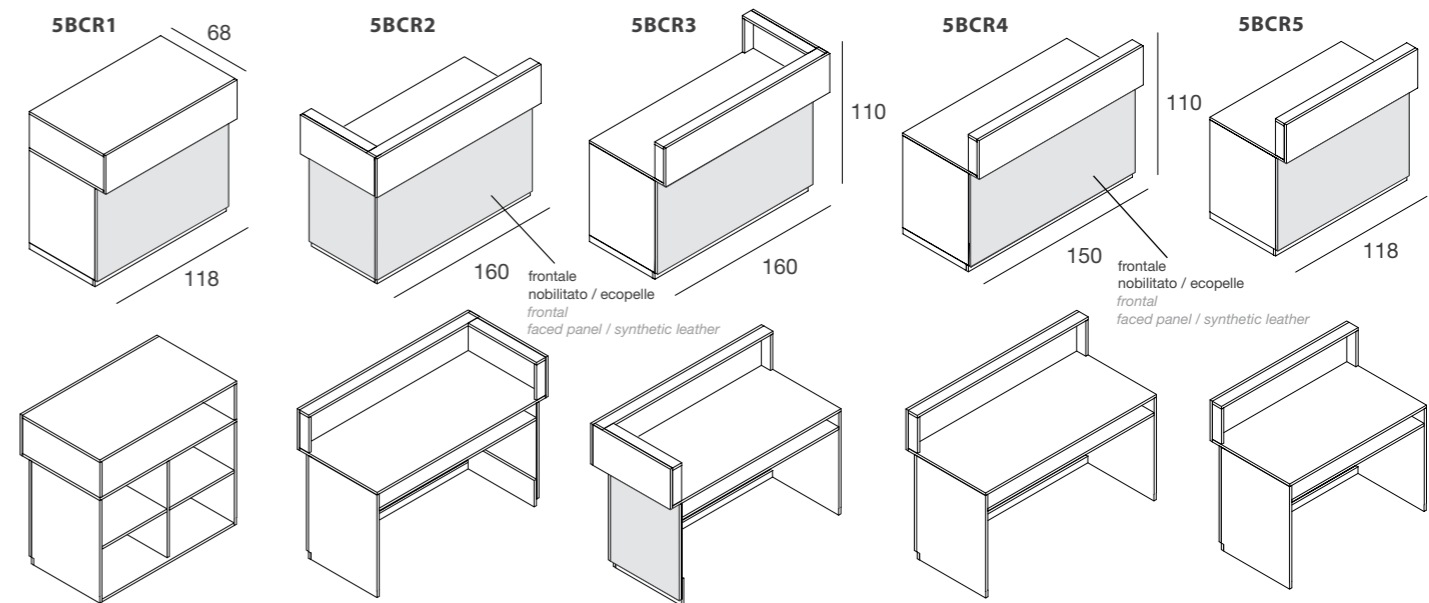
Padded or rigid covered panels in selected synthetic leathers suitable for many different furnishing solutions of both functional and ornamental use. These panels can be made of various sizes and are easy to assemble thanks to their simple wall fixing.

Cash counters can be covered by padded panels. This furniture line includes wood, plexiglass shelves, drawers units and accessories.

This system offers solutions both for fashion boutiques and for restaurant and entertainment areas.



BANCHI CASSA CON FRONTALE RIVESTITO
CASH COUNTERS WITH COATED FRONTAL



5BCR1/N
 nobilitato
faceted panel
 L118 x P68 x H110 cm

5BCR2/N
 nobilitato
faceted panel
 L160 x P68 x H110 cm

5BCR3/N
 nobilitato
faceted panel
 L160 x P68 x H110 cm

5BCR4/N
 nobilitato
faceted panel
 L150 x P68 x H110 cm

5BCR5/N
 nobilitato
faceted panel
 L118 x P68 x H110 cm

5BCS1/NEP
 nobilitato
 ecopelle st. coccodrillo
faceted panel
 synth. croc printed leather
 L118 x P68 x H110 cm

5BCR2/NEP
 nobilitato
 ecopelle st. coccodrillo
faceted panel
 synth. croc printed leather
 L160 x P68 x H110 cm

5BCR3/NEP
 nobilitato
 ecopelle st. coccodrillo
faceted panel
 synth. croc printed leather
 L160 x P68 x H110 cm

5BCR4/NEP
 nobilitato
 ecopelle st. coccodrillo
faceted panel
 synth. croc printed leather
 L150 x P68 x H110 cm

5BCR5/NEP
 nobilitato
 ecopelle st. coccodrillo
faceted panel
 synth. croc printed leather
 L118 x P68 x H110 cm

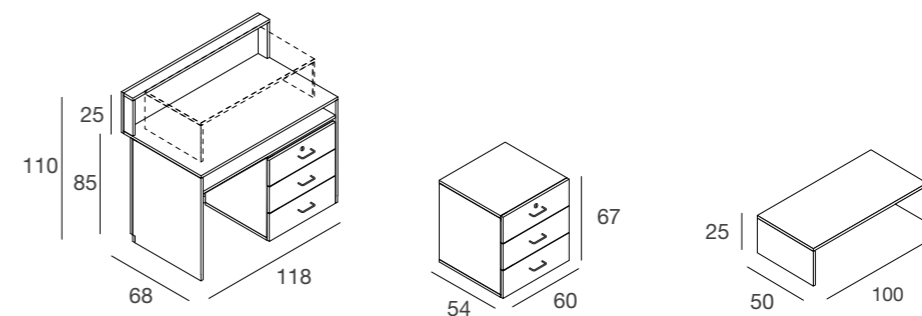
5BCS1/NEPL
 nobilitato
 ecopelle st. coccodrillo lucido
faceted panel
 synth. croc printed glossy leather
 L118 x P68 x H110 cm

5BCR2/NEPL
 nobilitato
 ecopelle st. coccodrillo lucido
faceted panel
 synth. croc printed glossy leather
 L160 x P68 x H110 cm

5BCR3/NEPL
 nobilitato
 ecopelle st. coccodrillo lucido
faceted panel
 synth. croc printed glossy leather
 L160 x P68 x H110 cm

5BCR4/NEPL
 nobilitato
 ecopelle st. coccodrillo lucido
faceted panel
 synth. croc printed glossy leather
 L150 x P68 x H110 cm

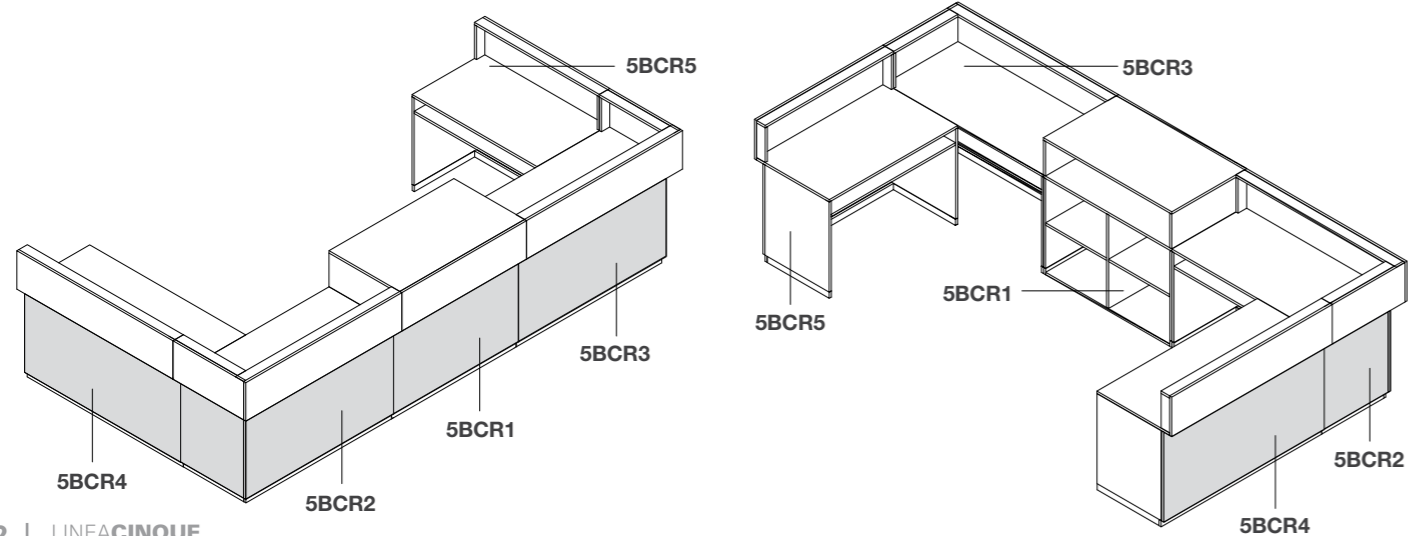
5BCR5/NEPL
 nobilitato
 ecopelle st. coccodrillo lucido
faceted panel
 synth. croc printed glossy leather
 L118 x P68 x H110 cm



5CAS/N
 cassettera
 nobilitato
chest of drawers
 faceted panel
 L60 x P54 x H67 cm

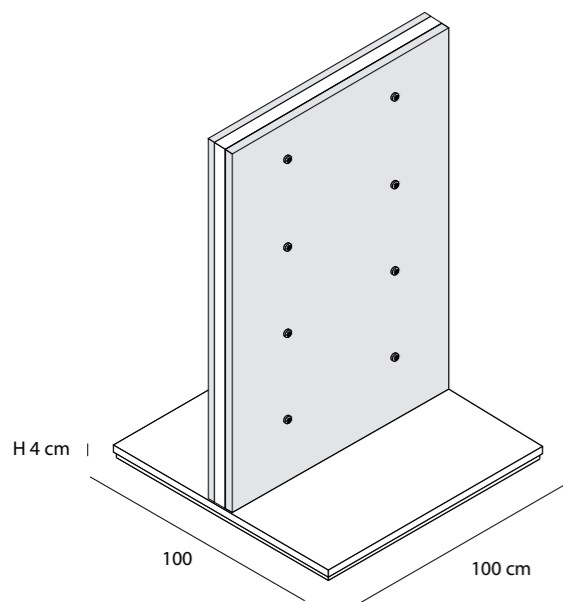
5PR/N
 piano rialzato
 nobilitato
raised surface
 faceted panel
 L100 x P50 x H25 cm

FRONTALE RIGIDO
 RIGID FRONTAL





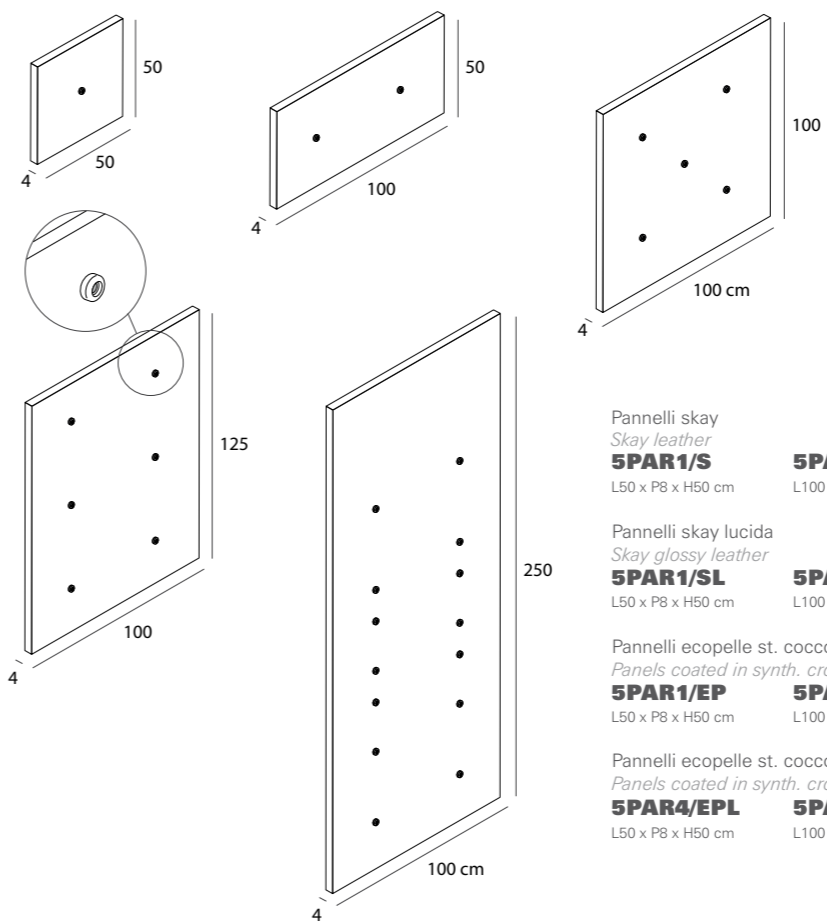
**ISOLA AUTOPORTANTE
FREESTANDING ISLAND**



5ISR/EP
isola
base e struttura in nobilitato
frontali in ecopelle st. coccodrillo
island
base and structure in faced panel
fronts in synthetic croc printed leather
L100 x P100 x H150 cm

5ISR/EPL
isola
base e struttura in nobilitato
frontali in ecopelle st. coccodrillo lucido
island
base and structure in faced panel
fronts in synthetic croc printed glossy leather
L100 x P100 x H150 cm

**PANNELLI RIGIDI
RIGID PANELS**



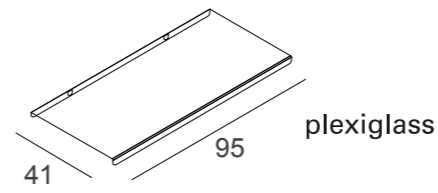
Pannelli skay <i>Skay leather</i> 5PAR1/S L50 x P8 x H50 cm	5PAR2/S L100 x P8 x H50 cm	5PAR3/S L100 x P8 x H100 cm	5PAR4/S L100 x P8 x H125 cm	5PAR5/S L100 x P8 x H250 cm
Pannelli skay lucida <i>Skay glossy leather</i> 5PAR1/SL L50 x P8 x H50 cm	5PAR2/SL L100 x P8 x H50 cm	5PAR3/SL L100 x P8 x H100 cm	5PAR4/SL L100 x P8 x H125 cm	5PAR5/SL L100 x P8 x H250 cm
Pannelli ecopelle st. coccodrillo <i>Panels coated in synth. croc printed leather</i> 5PAR1/EP L50 x P8 x H50 cm	5PAR2/EP L100 x P8 x H50 cm	5PAR3/EP L100 x P8 x H100 cm	5PAR4/EP L100 x P8 x H125 cm	5PAR5/EP L100 x P8 x H250 cm
Pannelli ecopelle st. coccodrillo lucido <i>Panels coated in synth. croc printed glossy leather</i> 5PAR4/EPL L50 x P8 x H50 cm	5PAR4/EPL L100 x P8 x H50 cm	5PAR4/EPL L100 x P8 x H100 cm	5PAR4/EPL L100 x P8 x H125 cm	5PAR4/EPL L100 x P8 x H250 cm



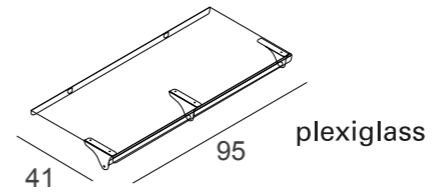
FRONTALE RIGIDO
RIGID FRONTAL

ACCESSORI
ACCESSORIES

mensole - shelves



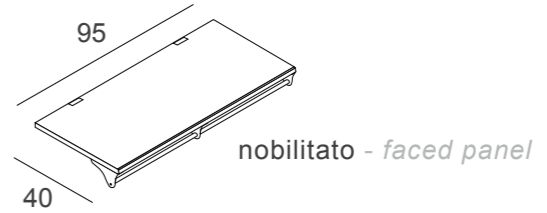
plexiglass



plexiglass



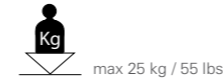
nobilitato - faced panel



nobilitato - faced panel

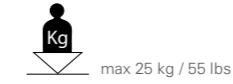
5ME/PLEX
mensole
plex trasparente - satinato
shelves
transparent or satinized plexiglass
L95 x P41 cm - sp. 6 mm

5MEA/PLEX
mensole con appenderia
plex trasparente - satinato
shelf with hanger
transparent or satinized plexiglass
L95 x P41 cm - sp. 6 mm

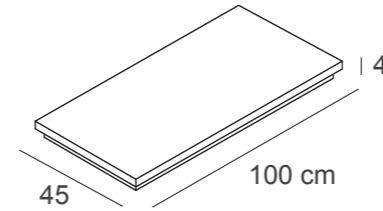


5ME/N
mensole
nobilitato
shelf
faced panel
L95 x P40 cm - sp. 18 mm

5MEA/PLEX
mensole con appenderia
nobilitato
shelf with hanger
faced panel
L95 x P40 cm - sp. 18 mm

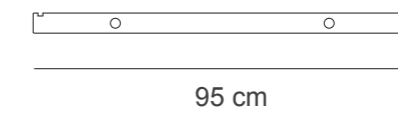


pedana - platform

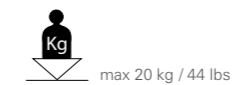


5PED/N
pedana
nobilitato
rialzata con zoccolo
platform
faced panel
raised with baseboard
L100 x P45 x H4 cm

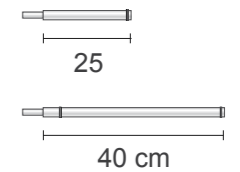
barra appenderia - crossbar



5BAP
barra appenderia
metallo
crossbar
metal
L95 x H3,5 cm - sp. 5 mm

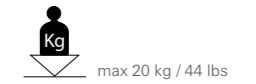


perni - pins

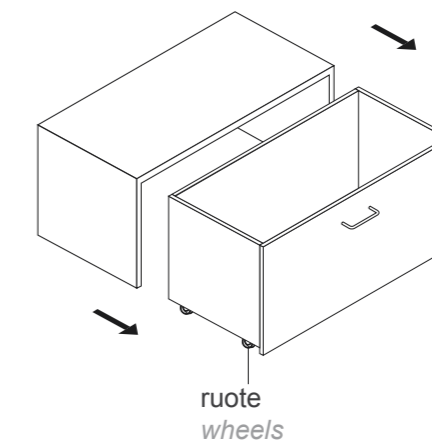
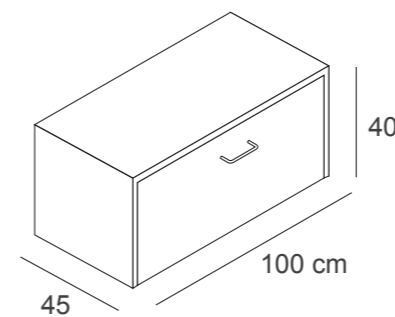


5PP
perno app.frontale
alluminio
frontal hanging pin
aluminium
L25 cm Ø 20 mm

5PG
coppia perni
alluminio
pair of supporting pins
aluminium
L40 cm Ø 20 mm



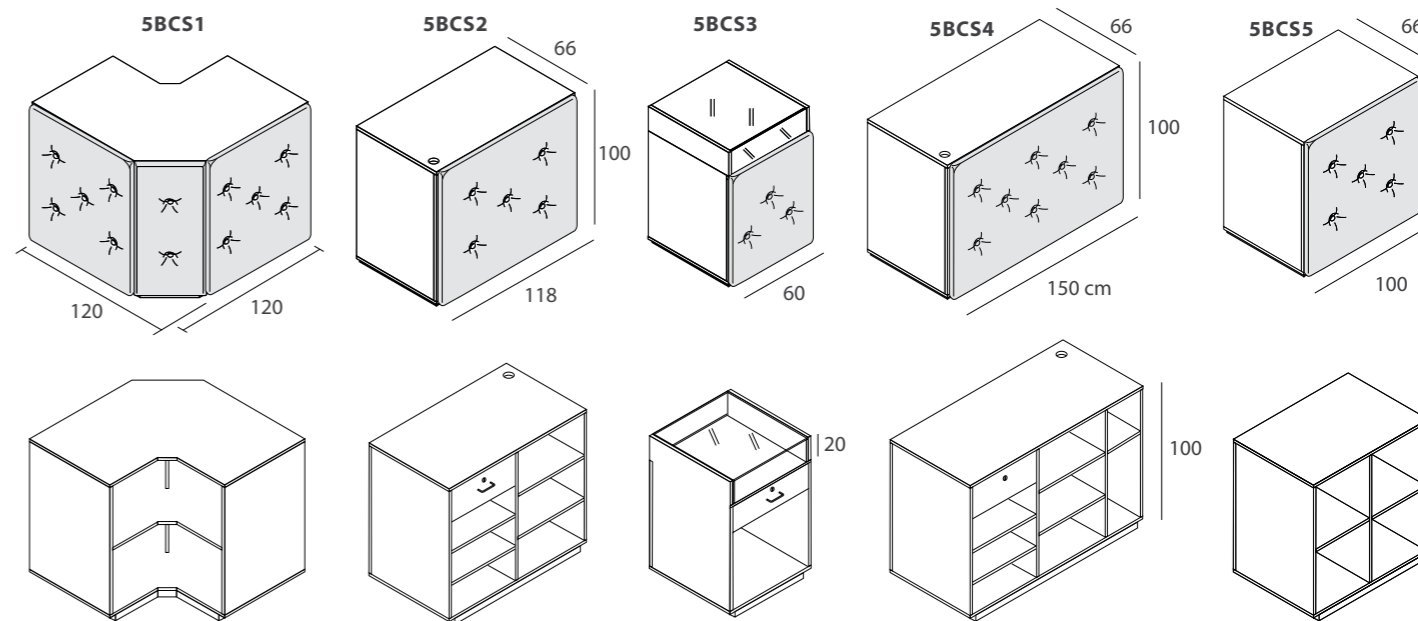
cassettiera - chest of drawer



5CA/N
cassettiera
nobilitato
chest of drawers
faced panel
L100 x P45 x H40 cm



BANCHI CASSA CON FRONTALE IMBOTTITO
CASH COUNTERS WITH PADDED FRONTAL



5BCS1/NS
 struttura in nobilitato
 frontali skay
 structure in faced panel
 frontals in skay leather
 L120 x P120 x H100 cm

5BCS2/NS
 struttura in nobilitato
 frontali skay
 structure in faced panel
 frontals in skay leather
 L118 x P66 x H100 cm

5BCS3/NS
 struttura in nobilitato
 frontali skay
 structure in faced panel
 frontals in skay leather
 L60 x P66 x H100 cm

5BCS4/NS
 struttura in nobilitato
 frontali skay
 structure in faced panel
 frontals in skay leather
 L150 x P66 x H100 cm

5BCS5/NS
 struttura in nobilitato
 frontali skay
 structure in faced panel
 frontals in skay leather
 L100 x P66 x H100 cm

5BCS1/NSL
 struttura in nobilitato
 frontali skay lucida
 structure in faced panel
 frontals in skay glossy leather
 L120 x P120 x H100 cm

5BCS2/NSL
 struttura in nobilitato
 frontali skay lucida
 structure in faced panel
 frontals in skay glossy leather
 L118 x P66 x H100 cm

5BCS3/NSL
 struttura in nobilitato
 frontali skay lucida
 structure in faced panel
 frontals in skay glossy leather
 L60 x P66 x H100 cm

5BCS4/NSL
 struttura in nobilitato
 frontali skay lucida
 structure in faced panel
 frontals in skay glossy leather
 L150 x P66 x H100 cm

5BCS5/NSL
 struttura in nobilitato
 frontali skay lucida
 structure in faced panel
 frontals in skay glossy leather
 L100 x P66 x H100 cm

5BCS1/NEP
 struttura in nobilitato
 frontali ecopelle st. coccodrillo
 structure in faced panel
 frontals in synth. croc printed
 leather
 L120 x P120 x H100 cm

5BCS2/NEP
 struttura in nobilitato
 frontali ecopelle st. coccodrillo
 structure in faced panel
 frontals in synth. croc printed
 leather
 L118 x P66 x H100 cm

5BCS3/NEP
 struttura in nobilitato
 frontali ecopelle st. coccodrillo
 structure in faced panel
 frontals in synth. croc printed
 leather
 L60 x P66 x H100 cm

5BCS4/NEP
 struttura in nobilitato
 frontali ecopelle st. coccodrillo
 structure in faced panel
 frontals in synth. croc printed
 leather
 L150 x P66 x H100 cm

5BCS5/NEP
 struttura in nobilitato
 frontali ecopelle st. coccodrillo
 structure in faced panel
 frontals in synth. croc printed
 leather
 L100 x P66 x H100 cm

5BCS1/NEPL
 struttura in nobilitato
 frontali ecopelle st. coccodrillo lucido
 structure in faced panel
 frontals in synth. croc printed
 glossy leather
 L120 x P120 x H100 cm

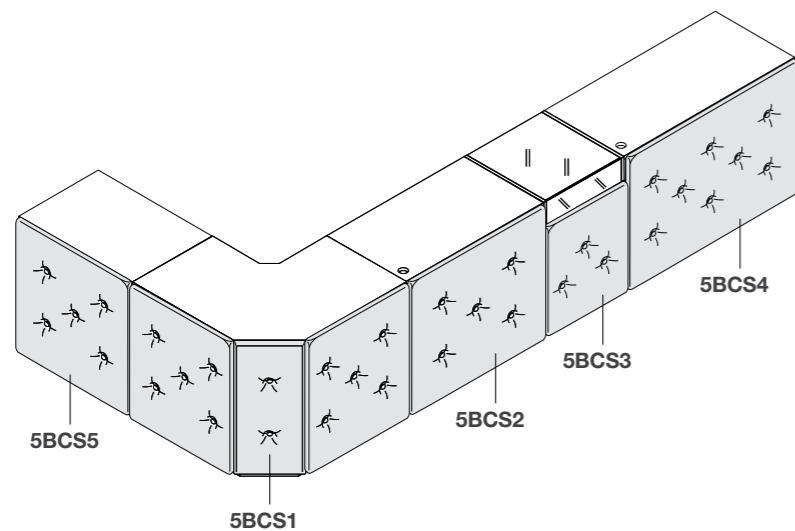
5BCS2/NEPL
 struttura in nobilitato
 frontali ecopelle st. coccodrillo lucido
 structure in faced panel
 frontals in synth. croc printed
 glossy leather
 L118 x P66 x H100 cm

5BCS3/NEPL
 struttura in nobilitato
 frontali ecopelle st. coccodrillo lucido
 structure in faced panel
 frontals in synth. croc printed
 glossy leather
 L60 x P66 x H100 cm

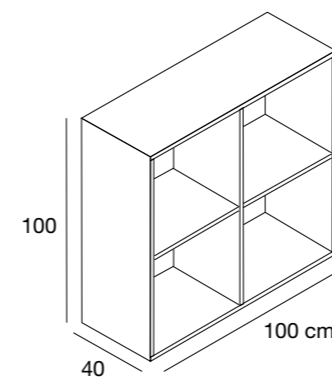
5BCS4/NEPL
 struttura in nobilitato
 frontali ecopelle st. coccodrillo lucido
 structure in faced panel
 frontals in synth. croc printed
 glossy leather
 L150 x P66 x H100 cm

5BCS5/NEPL
 struttura in nobilitato
 frontali ecopelle st. coccodrillo lucido
 structure in faced panel
 frontals in synth. croc printed
 glossy leather
 L100 x P66 x H100 cm

FRONTALE IMBOTTITO
 PADDED FRONTAL



MODULO RETRO CASSA
BACK-CASH MODULE

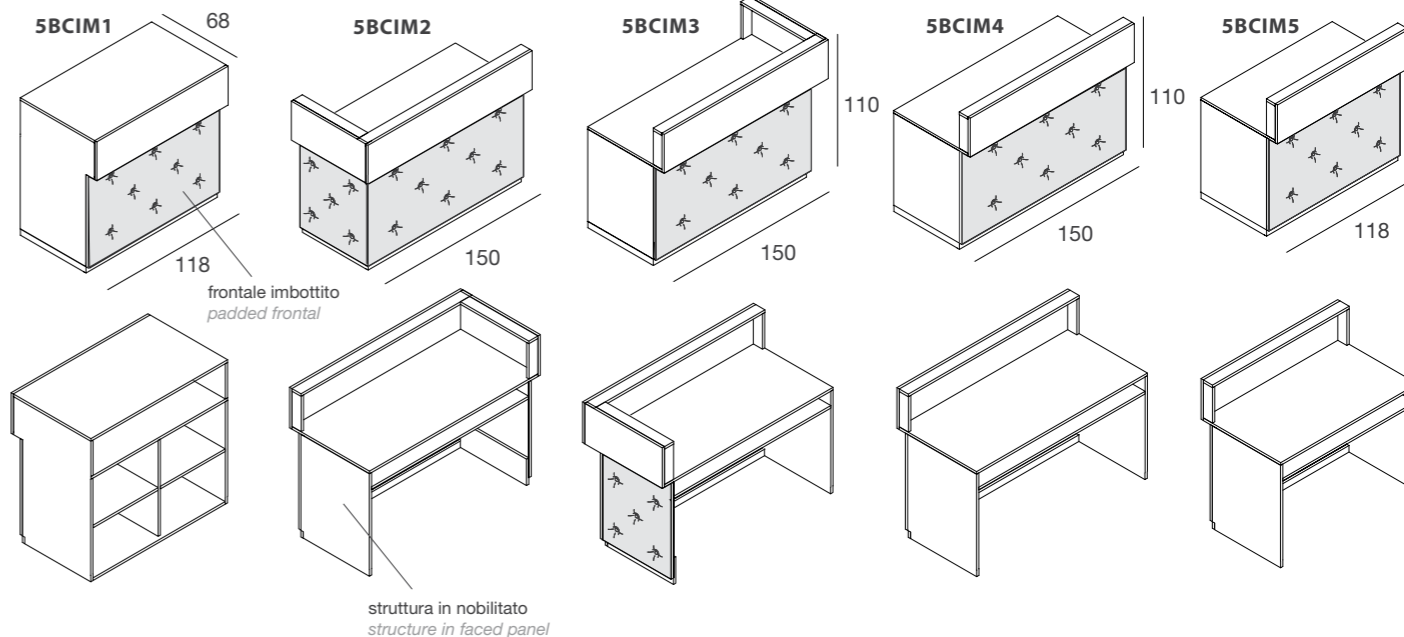


5RC/N
 nobilitato
 faced panel
 L100 x P40 x H100 cm

5RC/NL
 nobilitato lucido
 glossy faced panel
 L100 x P40 x H100 cm



BANCHI CASSA CON FRONTALE IMBOTTITO
CASH COUNTERS WITH PADDED FRONTAL



5BCIM1/NS
struttura in nobilitato
frontali skay
*structure in faced panel
frontals in skay leather*
L118 x P68 x H110 cm

5BCIM2/NS
struttura in nobilitato
frontali skay
*structure in faced panel
frontals in skay leather*
L150 x P68 x H110 cm

5BCIM3/NS
struttura in nobilitato
frontali skay
*structure in faced panel
frontals in skay leather*
L150 x P68 x H110 cm

5BCIM4/NS
struttura in nobilitato
frontali skay
*structure in faced panel
frontals in skay leather*
L150 x P68 x H110 cm

5BCIM5/NS
struttura in nobilitato
frontali skay
*structure in faced panel
frontals in skay leather*
L118 x P68 x H110 cm

5BCIM1/NSL
struttura in nobilitato
frontali skay lucida
*structure in faced panel
frontals in skay glossy leather*
L118 x P68 x H110 cm

5BCIM2/NSL
struttura in nobilitato
frontali skay lucida
*structure in faced panel
frontals in skay glossy leather*
L150 x P68 x H110 cm

5BCIM3/NSL
struttura in nobilitato
frontali skay lucida
*structure in faced panel
frontals in skay glossy leather*
L150 x P68 x H110 cm

5BCIM4/NSL
struttura in nobilitato
frontali skay lucida
*structure in faced panel
frontals in skay glossy leather*
L150 x P68 x H110 cm

5BCIM5/NSL
struttura in nobilitato
frontali skay lucida
*structure in faced panel
frontals in skay glossy leather*
L118 x P68 x H110 cm

5BCIM1/NEP
struttura in nobilitato
frontali ecopelle st. coccodrillo
*structure in faced panel
frontals in synth. croc printed
leather*
L118 x P68 x H110 cm

5BCIM2/NEP
struttura in nobilitato
frontali ecopelle st. coccodrillo
*structure in faced panel
frontals in synth. croc printed
leather*
L150 x P68 x H110 cm

5BCIM3/NEP
struttura in nobilitato
frontali ecopelle st. coccodrillo
*structure in faced panel
frontals in synth. croc printed
leather*
L150 x P68 x H110 cm

5BCIM4/NEP
struttura in nobilitato
frontali ecopelle st. coccodrillo
*structure in faced panel
frontals in synth. croc printed
leather*
L150 x P68 x H110 cm

5BCIM5/NEP
struttura in nobilitato
frontali ecopelle st. coccodrillo
*structure in faced panel
frontals in synth. croc printed
leather*
L118 x P68 x H110 cm

5BCIM1/NEPL
struttura in nobilitato
frontali ecopelle st. coccodrillo
lucido
*structure in faced panel
frontals in synth. croc printed
glossy leather*
L118 x P68 x H110 cm

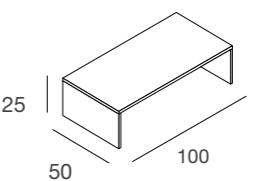
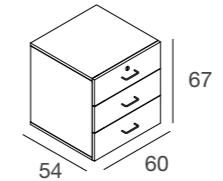
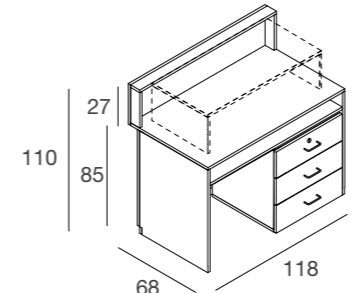
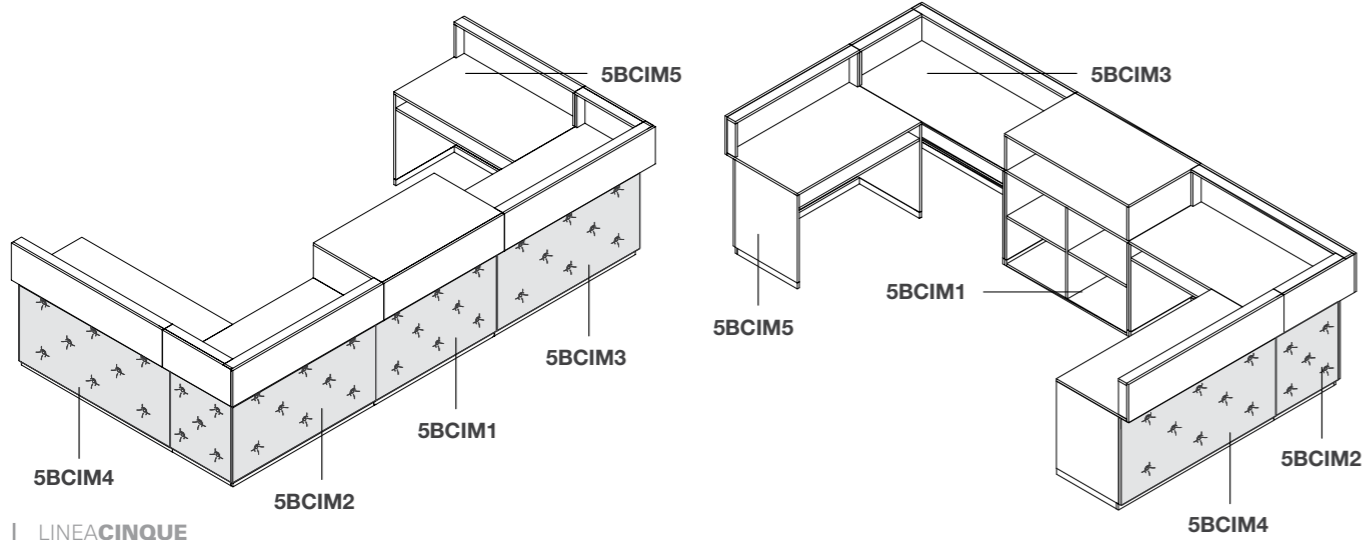
5BCIM2/NEPL
struttura in nobilitato
frontali ecopelle st. coccodrillo
lucido
*structure in faced panel
frontals in synth. croc printed
glossy leather*
L150 x P68 x H110 cm

5BCIM3/NEPL
struttura in nobilitato
frontali ecopelle st. coccodrillo
lucido
*structure in faced panel
frontals in synth. croc printed
glossy leather*
L150 x P68 x H110 cm

5BCIM4/NEPL
struttura in nobilitato
frontali ecopelle st. coccodrillo
lucido
*structure in faced panel
frontals in synth. croc printed
glossy leather*
L150 x P68 x H110 cm

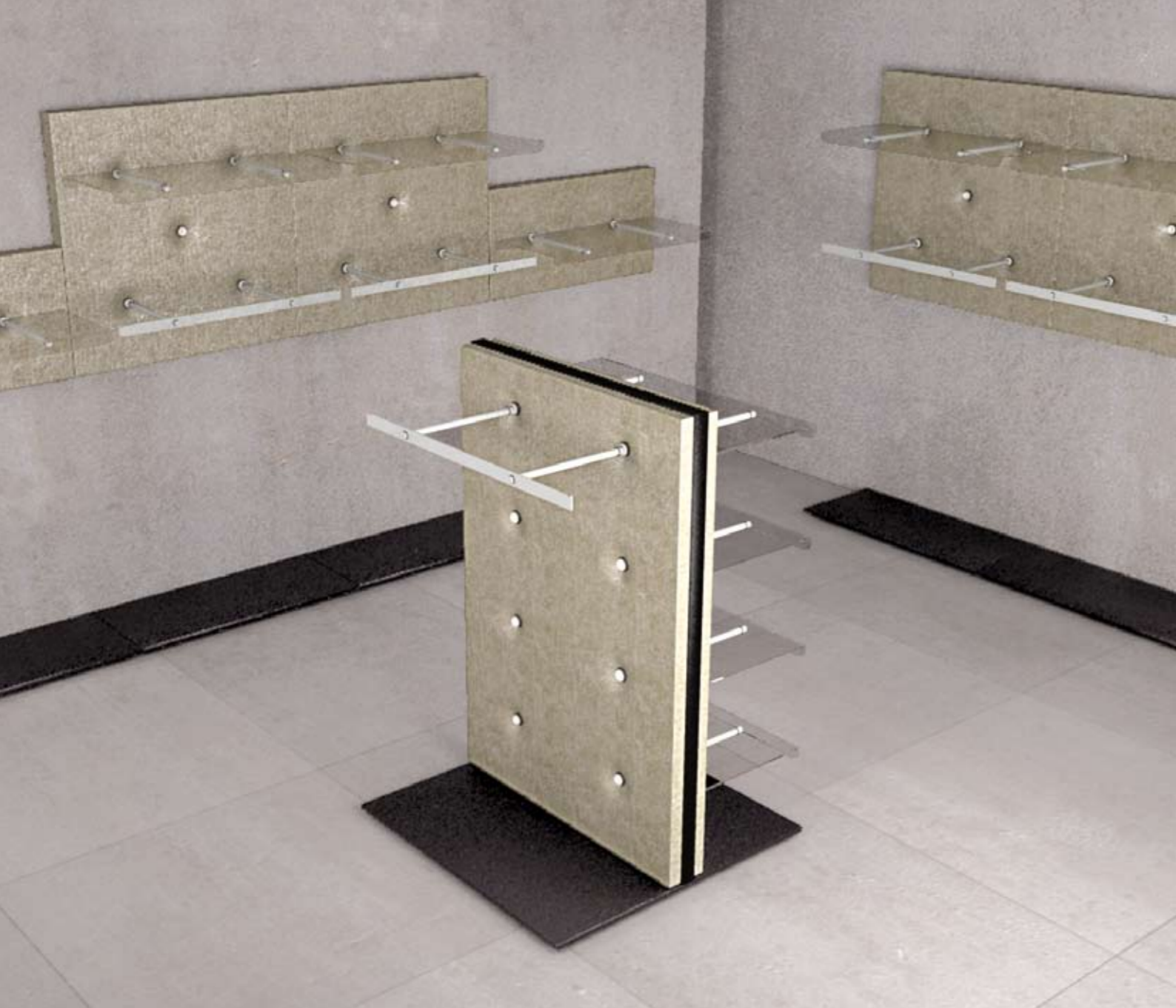
5BCIM5/NEPL
struttura in nobilitato
frontali ecopelle st. coccodrillo
lucido
*structure in faced panel
frontals in synth. croc printed
glossy leather*
L118 x P68 x H110 cm

FRONTALE IMBOTTITO
PADDED FRONTAL



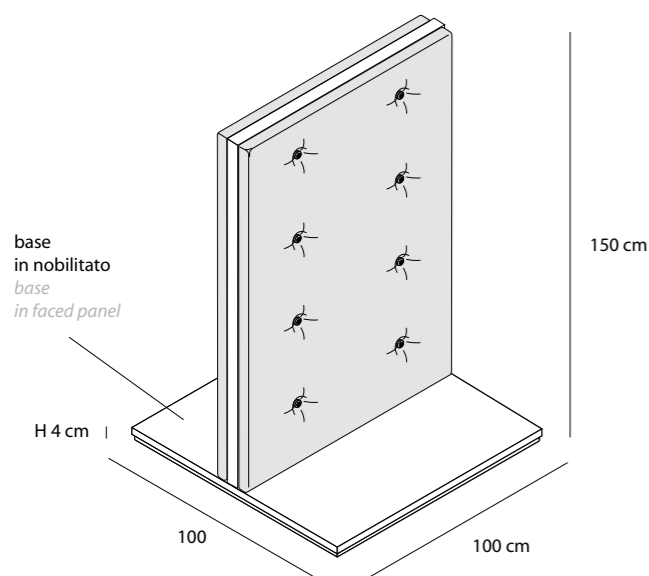
5CAS/N
cassettiera
nobilitato
*chest of drawers
faced panel*
L60 x P54 x H67 cm

5PR/N
piano rialzato
nobilitato
*raised surface
faced panel*
L100 x P50 x H25 cm



ISOLA AUTOPORTANTE IMBOTTITA - FREESTANDING ISLAND PADDED FRONTAL

FRONTALE IMBOTTITO
PADDED FRONTAL



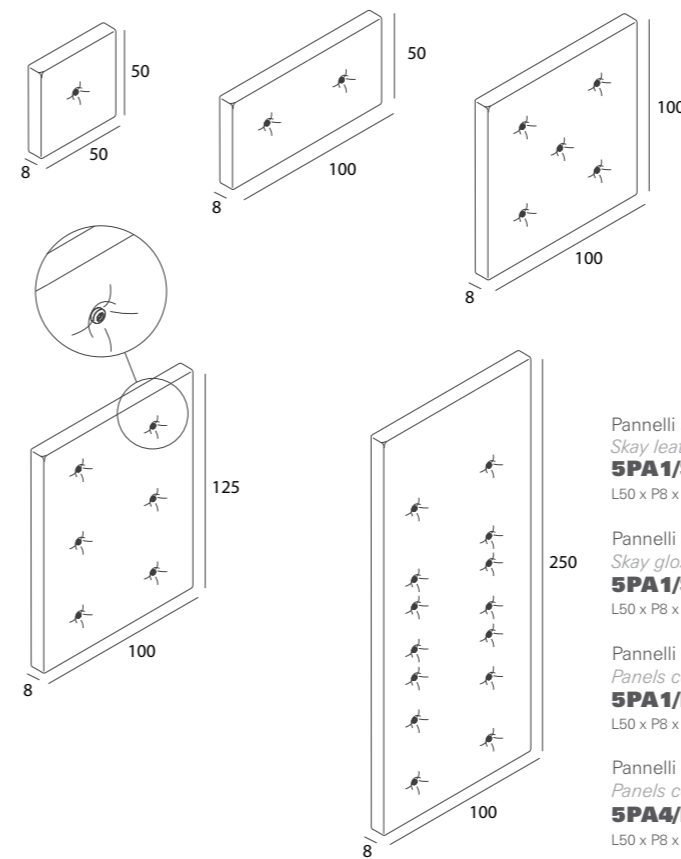
5IS/S
isola
base e struttura in nobilitato
frontali in skay
island
base and structure in faced panel
fronts in skay leather
L100 x P100 x H150 cm

5IS/SL
isola
base e struttura in nobilitato
frontali in skay lucida
island
base and structure in faced panel
fronts in skay glossy leather
L100 x P100 x H150 cm

5IS/EP
isola
base e struttura in nobilitato
frontali in ecopelle st. coccodrillo
island
base and structure in faced panel
fronts in synthetic croc printed leather
L100 x P100 x H150 cm

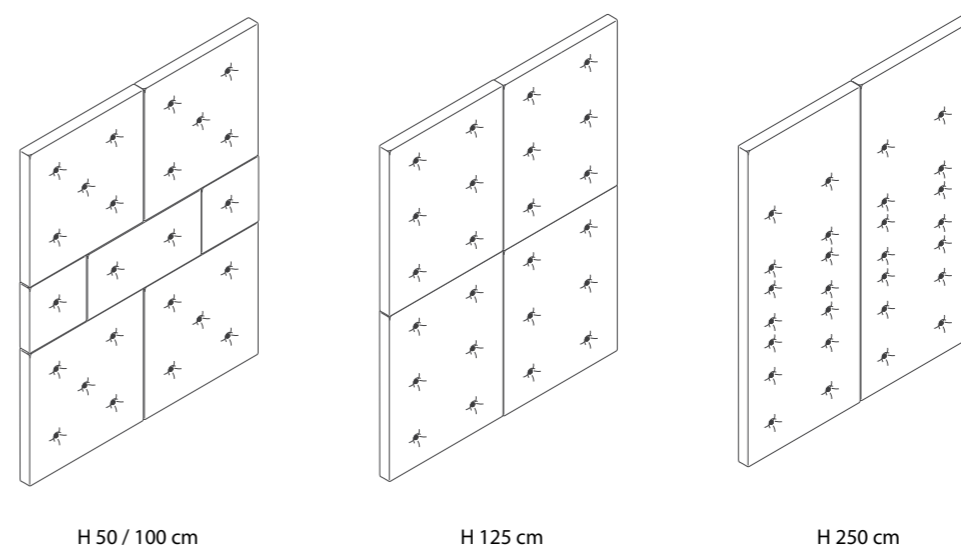
5IS/EPL
isola
base e struttura in nobilitato
frontali in ecopelle st. coccodrillo lucido
island
base and structure in faced panel
fronts in synthetic croc printed glossy leather
L100 x P100 x H150 cm

PANNELLI ATTREZZABILI IMBOTTITI
EQUIPABLE PADDED PANELS

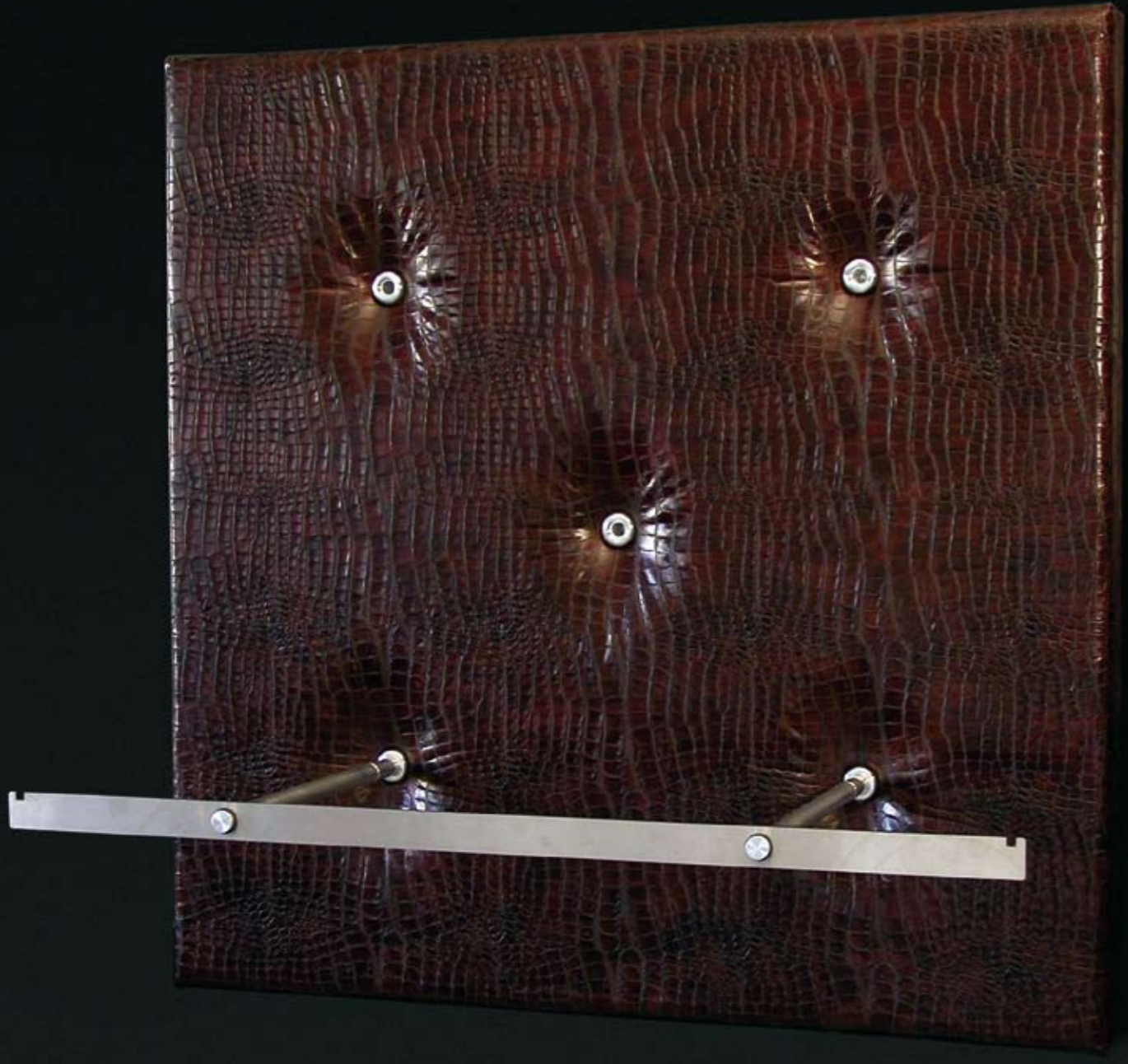


Pannelli skay <i>Skay leather</i> 5PA1/S L50 x P8 x H50 cm	5PA2/S L100 x P8 x H50 cm	5PA3/S L100 x P8 x H100 cm	5PA4/S L100 x P8 x H125 cm	5PA5/S L100 x P8 x H250 cm
Pannelli skay lucida <i>Skay glossy leather</i> 5PA1/SL L50 x P8 x H50 cm	5PA2/SL L100 x P8 x H50 cm	5PA3/SL L100 x P8 x H100 cm	5PA4/SL L100 x P8 x H125 cm	5PA5/SL L100 x P8 x H250 cm
Pannelli ecopelle st. coccodrillo <i>Panels coated in synth. croc printed leather</i> 5PA1/EP L50 x P8 x H50 cm	5PA2/EP L100 x P8 x H50 cm	5PA3/EP L100 x P8 x H100 cm	5PA4/EP L100 x P8 x H125 cm	5PA5/EP L100 x P8 x H250 cm
Pannelli ecopelle st. coccodrillo lucido <i>Panels coated in synth. croc printed glossy leather</i> 5PA4/EPL L50 x P8 x H50 cm	5PA4/EPL L100 x P8 x H50 cm	5PA4/EPL L100 x P8 x H100 cm	5PA4/EPL L100 x P8 x H125 cm	5PA4/EPL L100 x P8 x H250 cm

PANNELLI IMBOTTITI - COMPOSIZIONI
PADDED PANELS - COMPOSITIONS



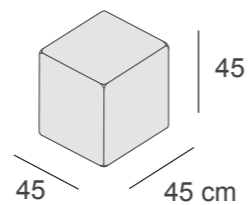
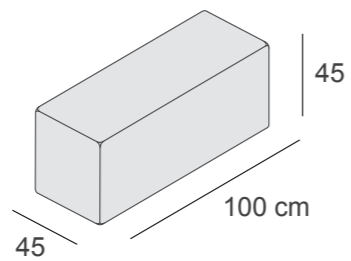
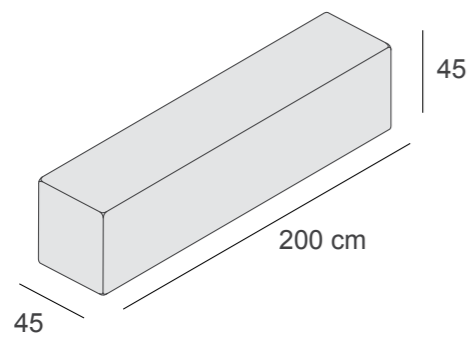




FRONTALE IMBOTTITO
PADDED FRONTAL



POUF IMBOTTITI
PADDED POUF



5POU1/S
skay
skay leather
L200 x P45 x H45 cm

5POU1/SL
skay lucida
skay glossy leather
L200 x P45 x H45 cm

5POU1/EP
ecopelle st. cocodrillo
synth. croc printed leather
L200 x P45 x H45 cm

5POU1/EPL
ecopelle st. cocodrillo lucido
synth. croc printed glossy leather
L200 x P45 x H45 cm

5POU2/S
skay vernice lucida
skay glossy leather
L100 x P45 x H45 cm

5POU2/SL
skay lucida
skay glossy leather
L100 x P45 x H45 cm

5POU2/EP
ecopelle st. cocodrillo
synth. croc printed leather
L100 x P45 x H45 cm

5POU2/EPL
ecopelle st. cocodrillo lucido
synth. croc printed glossy leather
L100 x P45 x H45 cm

5POU3/S
skay vernice lucida
skay glossy leather
L45 x P45 x H45 cm

5POU3/SL
skay lucida
skay glossy leather
L45 x P45 x H45 cm

5POU3/EP
ecopelle st. cocodrillo
synth. croc printed leather
L45 x P45 x H45 cm

5POU3/EPL
ecopelle st. cocodrillo lucido
synth. croc printed glossy leather
L45 x P45 x H45 cm

CARTELLA COLORI - COLOUR CARD

NOBILITATI - FACED PANELS



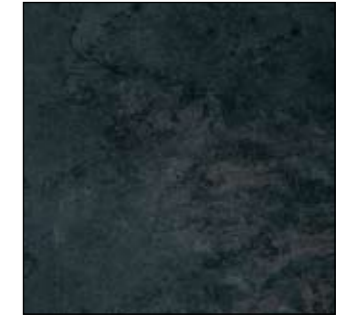
BIANCO
WHITE



GRIGIO SILVER
SILVER GREY



NERO
BLACK



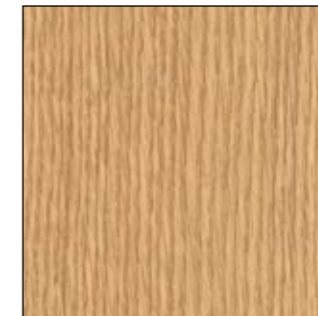
LAMIERA OSSIDATA
OXIDIZED SHEET



ABETE VISSUTO BIANCO
WHITE VINTAGE FIR



ABETE NODATO
KNOTTED FIR



ROVERE AMERICANO
AMERICAN OAK

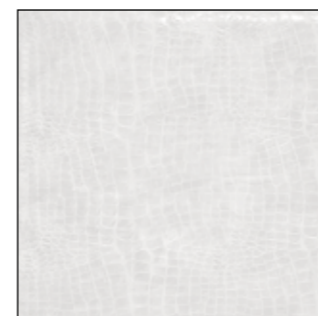


EBANO PRECOMPOSTO
EBONY VENEERED PLYWOOD



WENGE'
WENGE'

ECOPELLE STAMPA COCCODRILLO - SYNTHETIC CROC PRINTED LEATHER



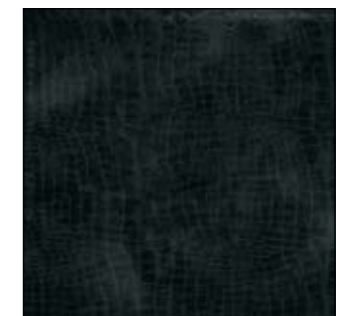
BIANCO
WHITE



BEIGE
BEIGE



CASTAGNO
CHESTNUT



NERO
BLACK

CARTELLA COLORI - COLOUR CARD

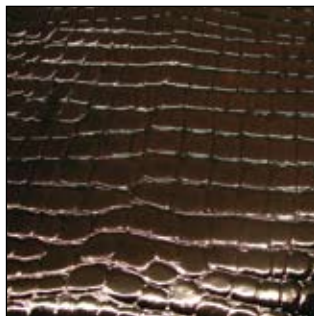
ECOPELLE STAMPA COCCODRILLO LUCIDO - SYNTHETIC CROC PRINTED GLOSSY LEATHER



AVORIO
IVORY



ROSSO RUBINO
RUBY RED



TESTA DI MORO
DARK BROWN



GRIGIO
GREY

SKAY - SKAY LEATHER



BIANCO
WHITE



BEIGE
BEIGE



TESTA DI MORO
DARK BROWN



NERO
BLACK

SKAY LUCIDA - SKAY GLOSSY LEATHER



BIANCO
WHITE

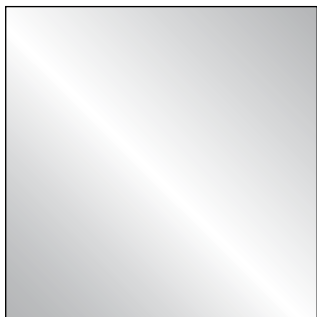


NERO
BLACK

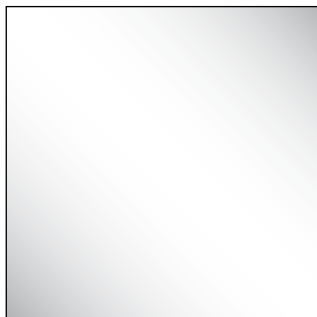


ROSSO
RED

PLEXIGLASS



TRASPARENTE
CLEAR



SATINATO
SATINIZED