



8

LINEAOTTO

NUOVA

**BRUGNOTTO**<sup>®</sup>  
SHOP INTERIORS

# BRUGNOTTO® SHOP INTERIORS



BRUGNOTTO SHOP INTERIORS produce sistemi di arredi modulari per negozi e spazi espositivi.

L'azienda è stata fondata nel 1980 e ha sede nel nord est d'Italia, a 40 km dalla città di Venezia.

Nei suoi stabilimenti di 18.000 mq, sono presenti le più moderne tecnologie produttive ed operano abili professionisti e designers con grande esperienza nel fashion retail design.

BRUGNOTTO SHOP INTERIORS offre soluzioni di arredo innovativo per nuovi spazi commerciali, grazie anche alla capacità di abbinare più materiali, quali vere pelli selezionate, ecopelle stampata e verniciata, metalli e legni con particolari finiture.

Tutti questi materiali vengono lavorati all'interno dell'azienda con cura e sapienza artigianale rendendo BRUGNOTTO SHOP INTERIORS una realtà unica ed esclusiva.



*BRUGNOTTO SHOP INTERIORS produces modular pieces of furniture for shops and show spaces.*

*The company was founded in 1980 with its headquarters in northeastern Italy, 40 kilometres from Venice.*

*Its headquarters is comprised of 18.000 square metres where the most up-to-date production technology is used by designers and professionals who have a vast experience in modern retail design.*

*BRUGNOTTO SHOP INTERIORS is able to find innovative furnishing solutions for new commercial spaces thanks to the ability of using different materials, such as carefully chosen genuine leather, printed and varnished eco-leather, various different metals and types of wood with particular finishings.*

*All these specified materials are used within the company using great care and specialist knowledge making BRUGNOTTO SHOP INTERIORS completely unique and exclusive.*



# 8

## LINEAOTTO

### NUOVA



Project Eugenio Ferrante

#### LINEA OTTO

Collezione di arredo modulare che "rivisita" l'armadio.

Armadi di diverse misure, realizzati in nobilitato lucido verniciato antigraffio, attrezzati con cremagliera per un sistema di accessori da collocare, che li rende estremamente versatili.

Eventualmente con pannelli da fissaggio a parete con lo stesso design, offrono varie possibilità di scelta.

Tavoli con gambe tornite stile barocco e piano superiore in nobilitato, tavolo desk con teca in vetro e cassettera, tutto in nobilitato lucido verniciato antigraffio, completano questa importante collezione di arredamento.

#### LINE EIGHT

*This modular furnishing collection re-proposes the "wardrobe": of various sizes, all the wardrobes are made by glossy faced panels with non-scratch finishing (U.V. treated) and are equipped with racks. This system makes the accessories suitable for different uses.*

*As option, they can be supplied – with unchanged design – having panels for fixing on the wall; in this case a number of choices are available.*

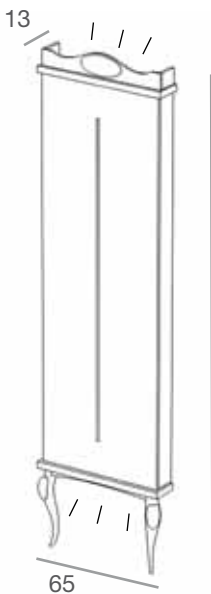
*In such a particular furnishing line we can also have: tables with well-shaped legs in the "Barocco" style and faced tops, desk-tables with glass case and chests of drawers. All items are made by glossy faced panels with non-scratch finishing (U.V. treated).*







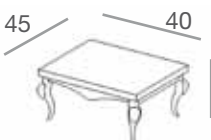
**ELEMENTI A PARETE E PEDANE**  
**WALL ELEMENTS AND PLATFORMS**



**8PA1/L-N-EP**

Pannello retroilluminato con cremagliera in nobilitato lucido/opaco o rivestito in ecopelle, con piedini ed ovale laccati nero/bianco lucido  
*Back-lighted panel with rack in glossy/matt or ecoleather covered chipboard, with glossy black/white laquered legs and oval*  
 L.65 x P.13 x H.230 cm

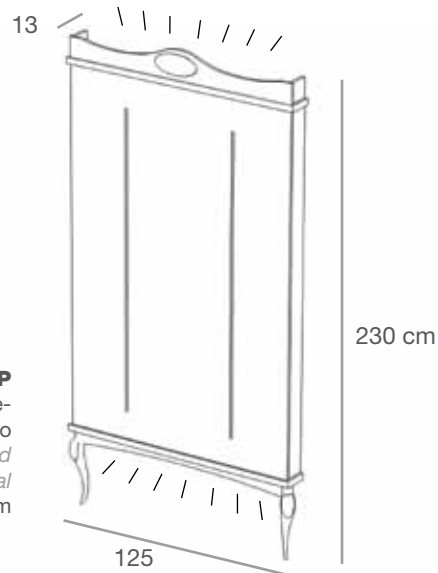
230 cm



**8PED1/L-N-EP**

Pedana in nobilitato lucido nero/bianco o rivestito in ecopelle con piedini laccati bianco/nero lucido  
*Platform in glossy black/white or ecoleather covered chipboard, with glossy black/white laquered legs*  
 L.40 x P.45 x H.25 cm

25 cm



**8PA2/L-N-EP**

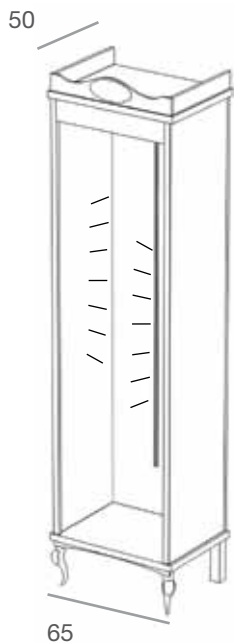
Pannello retroilluminato con cremagliera in nobilitato lucido/opaco o rivestito in ecopelle, con piedini ed ovale laccati nero/bianco lucido  
*Back-lighted panel with rack in glossy/matt or ecoleather covered chipboard, with glossy black/white laquered legs and oval*  
 L.125 x P.13 x H.230 cm



**8PED2/L-N-EP**

Pedana in nobilitato lucido nero/bianco o rivestito in ecopelle con piedini laccati bianco/nero lucido  
*Platform in glossy black/white or ecoleather covered chipboard, with glossy black/white laquered legs*  
 L.100 x P.45 x H.25 cm

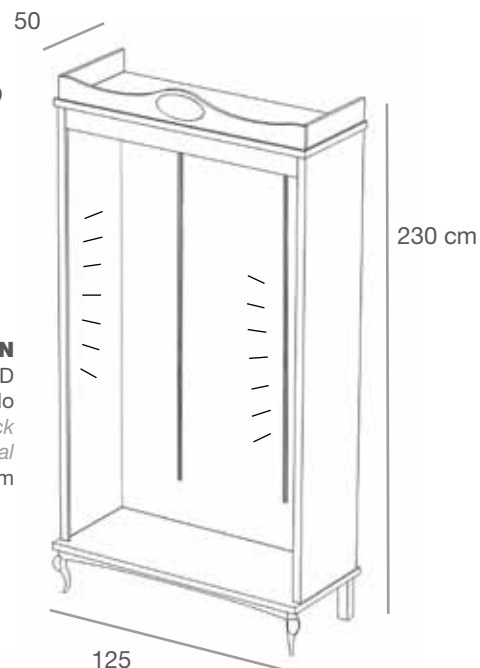
**ARMADI  
WARDROBES**



**8ARM1/L-N**

Armadio in nobilitato lucido/opaco con illuminazione interna a LED con cremagliera, con piedini ed ovale laccati nero/bianco lucido  
*Wardrobe in glossy/matt chipboard with LED lights and rack with glossy laquered legs and oval*  
 L.65 x P.50 x H.230 cm

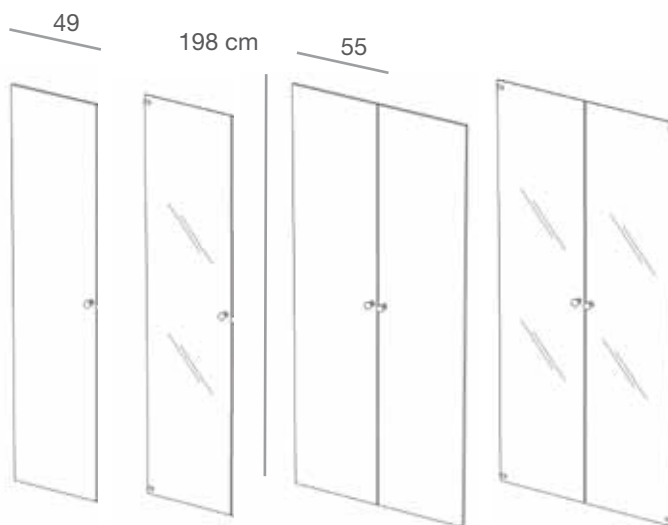
230 cm



**8ARM2/L-N**

Armadio in nobilitato lucido/opaco con illuminazione interna a LED con doppia cremagliera, con piedini ed ovale laccati lucido  
*Wardrobe in glossy/matt chipboard with LED lights, double rack with glossy laquered legs and oval*  
 L.125 x P.50 x H.230 cm

230 cm



**8ARM1/PV-PL-PN**

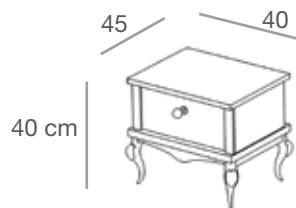
Anta per armadio 8ARM1 in vetro temprato o nobilitato lucido/opaco  
*Wardrobe door for 8ARM1 in tempered glass or glossy/matt chipboard*  
 L. 49 x H.198 cm  
**1 pc**

**8ARM2/PV-PL-PN**

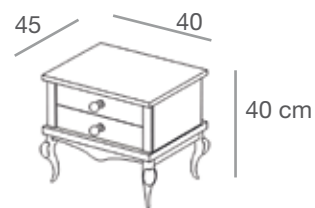
Coppia ante per armadio 8ARM2 in vetro temprato o nobilitato lucido/opaco  
*A couple of wardrobe doors for 8ARM2 in tempered glass or glossy/matt chipboard*  
 L. 55 x H.198 cm  
**2 pcs**



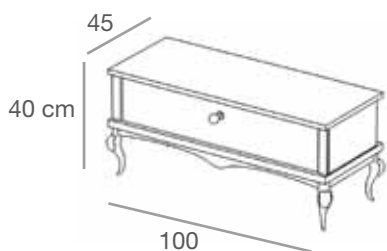
**PEDANE CON CASSETTO**  
**PLATFORMS WITH DRAWER**



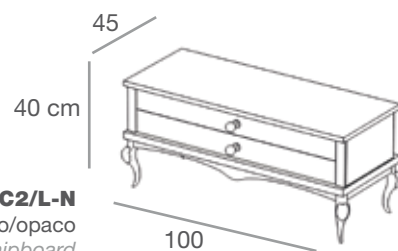
**8PED1C1/L-N**  
 Pedana con un cassetto in nobilitato lucido/opaco  
*Platform with one drawer in glossy/matt chipboard*  
 L.40 x P.45 x H.40 cm



**8PED1C2/L-N**  
 Pedana con due cassetti in nobilitato lucido/opaco  
*Platform with two drawers in glossy/matt chipboard*  
 L.40 x P.45 x H.40 cm



**8PED2C1/L-N**  
 Pedana con un cassetto in nobilitato lucido/opaco  
*Platform with one drawer in glossy/matt chipboard*  
 L.100 x P.45 x H.40 cm



**8PED2C2/L-N**  
 Pedana con due cassetti in nobilitato lucido/opaco  
*Platform with two drawers in glossy/matt chipboard*  
 L.100 x P.45 x H.40 cm









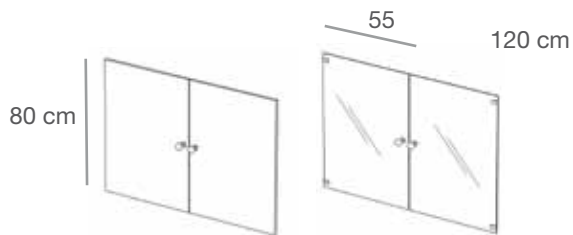
**CREDENZA**  
**CUPBOARD**

**8CRE/L-N**

Credenza in nobilitato lucido/opaco, con illuminazione interna a LED

*Cupboard in glossy/matt chipboard, with internal LED light system*

L.125 x P.55 x H.230 cm



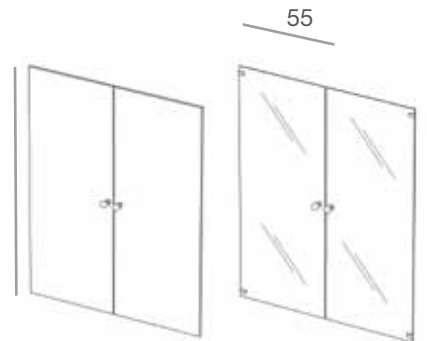
**8CRE/PVB-PLB-PNB**

Due ante inferiori per credenza 8CRE in vetro temprato o nobilitato lucido/opaco

*Two lower cupboard doors for 8CRE in tempered glass or glossy/matt chipboard*

L. 55 x H.80 cm

**2 pcs**



**8CRE/PVA-PLA-PNA**

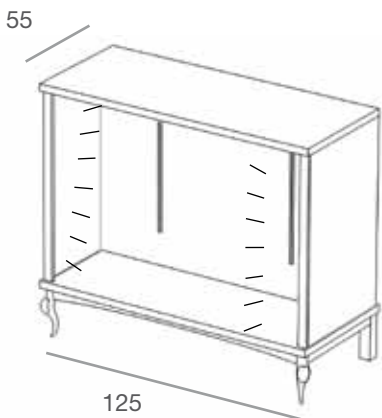
Due ante superiori per credenza 8CRE in vetro temprato o nobilitato lucido/opaco

*Two upper cupboard doors for 8CRE in tempered glass or glossy/matt chipboard*

L. 55 x H.120 cm

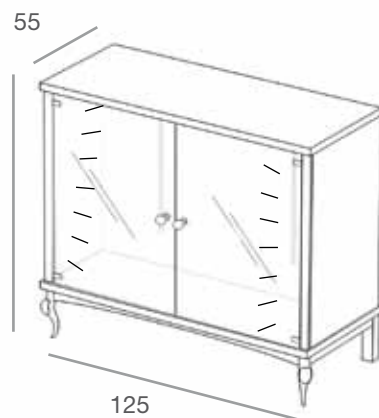
**2 pcs**

**MADIE**  
**DRESSERS**



**8MAD/L-N**  
Madia in nobilitato lucido/opaco con illuminazione interna a LED  
*Dresser in glossy/matt chipboard, with internal LED light system*  
L.125 x P.55 x H.100 cm

100 cm

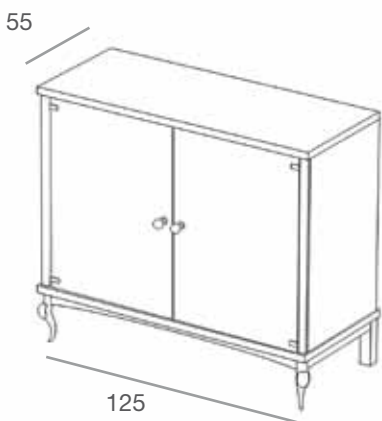


**8MADV/L-N**

Madia in nobilitato lucido/opaco con illuminazione interna a LED, e ante in vetro temprato  
*Dresser in glossy/matt chipboard, with internal LED light system and tempered glass doors*  
L.125 x P.55 x H.100 cm

100 cm

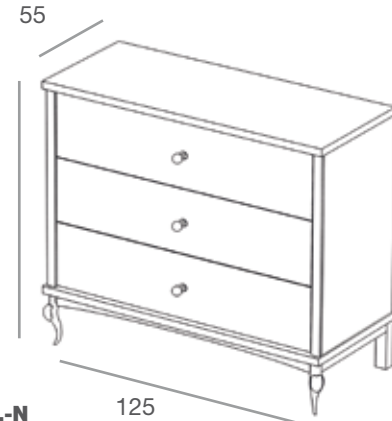
125



**8MADL/L-N**

Madia in nobilitato lucido/opaco con illuminazione interna a LED, e ante in nobilitato lucido/opaco  
*Dresser in glossy/matt chipboard, with internal LED light system and glossy/matt chipboard doors*  
L.125 x P.55 x H.100 cm

100 cm



**8MADC1/L-N**

Madia in nobilitato lucido/opaco con tre cassetti  
*Dresser in glossy/matt chipboard, with three drawers*  
L.125 x P.55 x H.100 cm

100 cm

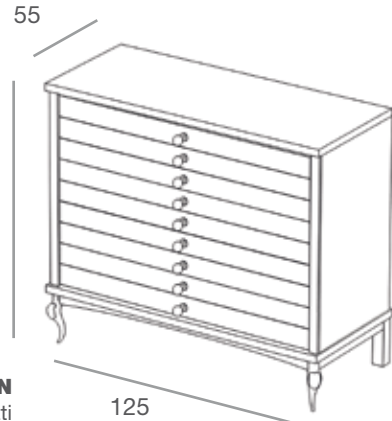
125



**8MADC2/L-N**

Madia in nobilitato lucido/opaco con sei cassetti  
*Dresser in glossy/matt chipboard, with six drawers*  
L.125 x P.55 x H.100 cm

100 cm



**8MADC3/L-N**

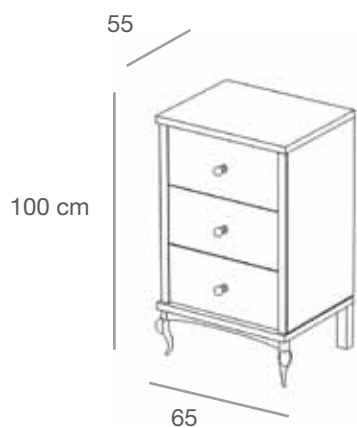
Madia in nobilitato lucido/opaco con nove cassetti  
*Dresser in glossy/matt chipboard, with nine drawers*  
L.125 x P.55 x H.100 cm

100 cm

125

125

**MADIE**  
DRESSERS



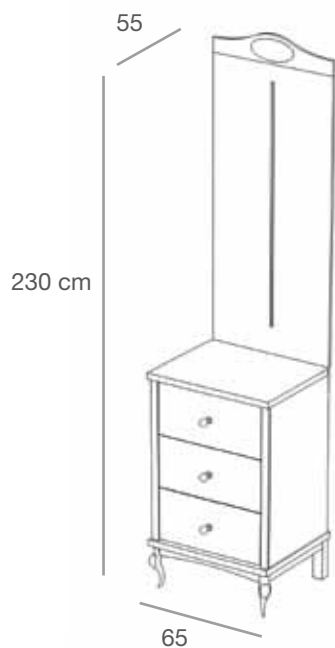
**8MADC4/L-N**  
Madia in nobilitato lucido/opaco con tre cassetti  
*Dresser in glossy/matt chipboard, with three drawers*  
L.65 x P.55 x H.100 cm



**8MADC5/L-N**  
Madia in nobilitato lucido/opaco con 9 cassetti  
*Dresser in glossy/matt chipboard, with nine drawers*  
L.65 x P.55 x H.100 cm



**MADIE CON PANNELLO**  
**DRESSERS WITH BACKPANEL**



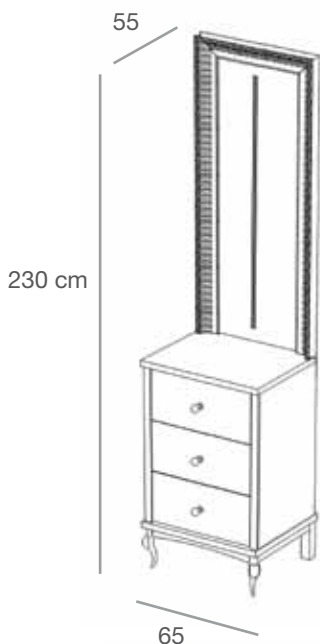
**8MADPA1/L-N-EP**

Madia in nobilitato lucido/opaco con tre cassetti e schienale con cremagliera in nobilitato lucido/opaco o rivestito ecopelle  
*Cupboard in glossy/matt chipboard with three drawers and backpanel with rack in glossy/matt or ecoleather covered chipboard*  
 L.65 x P.55 x H.230 cm



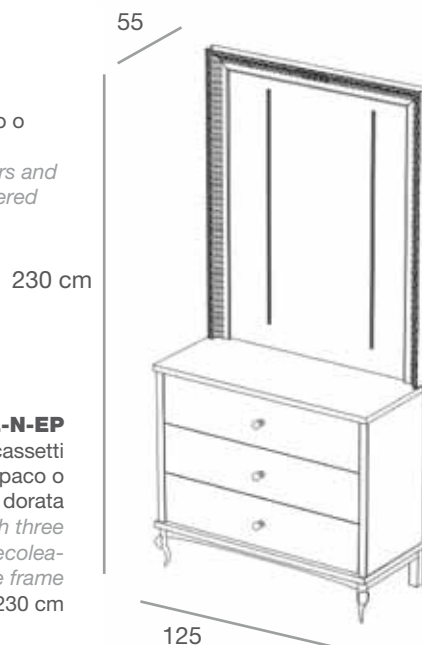
**8MADPA2/L-N-EP**

Madia in nobilitato lucido/opaco con tre cassetti e schienale con cremagliere in nobilitato lucido/opaco o rivestito ecopelle  
*Cupboard in glossy/matt chipboard with three drawers and backpanel with racks in glossy/matt or ecoleather covered chipboard*  
 L.125 x P.55 x H.230 cm



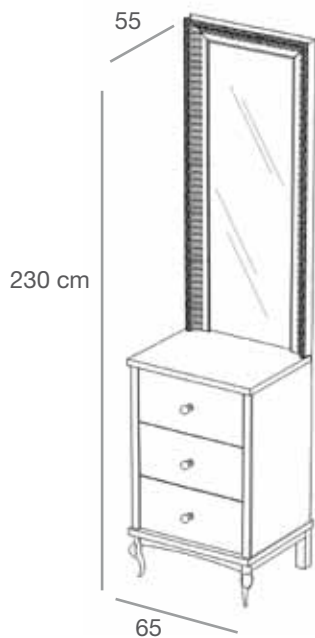
**8MADPA3/L-N-EP**

Madia in nobilitato lucido/opaco con tre cassetti e schienale con cremagliera in nobilitato lucido/opaco o rivestito ecopelle e cornice barocca dorata  
*Cupboard in glossy/matt chipboard with three drawers and backpanel with rack in glossy/matt or ecoleather covered chipboard and gold baroque frame*  
 L.65 x P.55 x H.230 cm



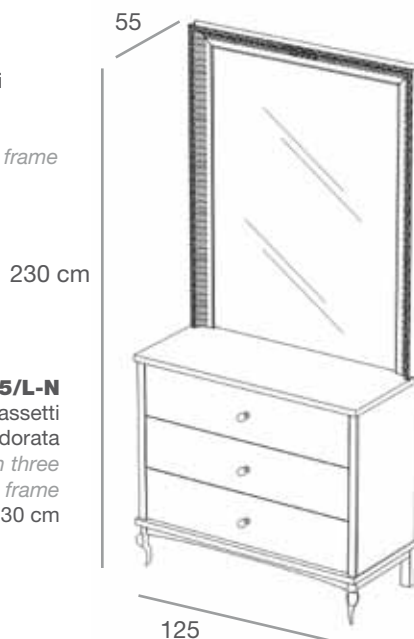
**8MADPA4/L-N-EP**

Madia in nobilitato nero/bianco lucido con tre cassetti e schienale con cremagliere in nobilitato lucido/opaco o rivestito ecopelle e cornice barocca dorata  
*Cupboard in glossy black/white chipboard with three drawers and backpanel with racks in glossy/matt or ecoleather covered chipboard and gold baroque frame*  
 L.125 x P.55 x H.230 cm



**8MADPA5/L-N**

Madia in nobilitato nero/bianco lucido con tre cassetti e schienale con specchio e cornice barocca dorata  
*Cupboard in glossy black/white chipboard with three drawers and backpanel with mirror and gold baroque frame*  
 L.65 x P.55 x H.230 cm



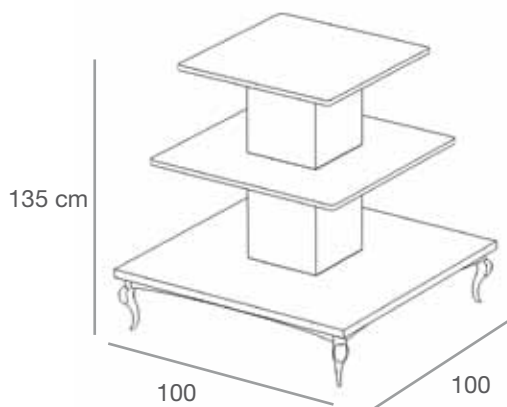
**8MADPA5/L-N**

Madia in nobilitato nero/bianco lucido con tre cassetti e schienale con specchio e cornice barocca dorata  
*Cupboard in glossy black/white chipboard with three drawers and backpanel with mirror and gold baroque frame*  
 L.125 x P.55 x H.230 cm

**CENTRO STANZA**  
*MIDDLE ROOM*

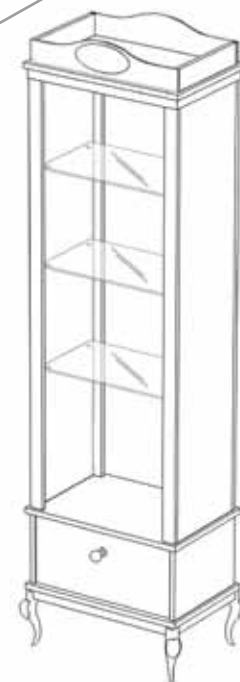
**8TORTA/L-N**

Espositore centrale a ripiani in nobilitato lucido/opaco  
*Middle room display with shelves in glossy/matt chipboard*  
L.100 x P.100 x H.135 cm



55

230 cm



55

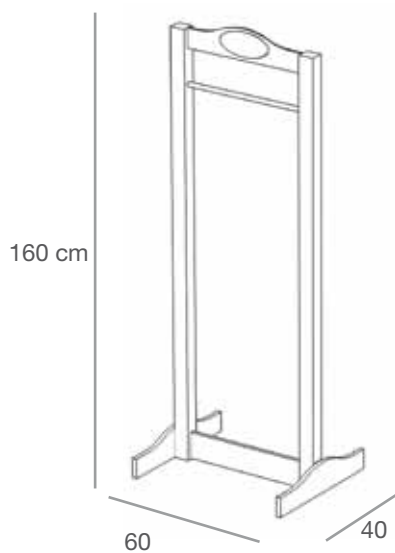
**8ARMV/L-N**

Armadietto aperto per vetrina in nobilitato lucido/opaco,  
con base con cassetto  
*Small open-cabinet for display window in glossy/matt chipboard*  
with drawer on basement  
L.65 x P.55 x H.230 cm

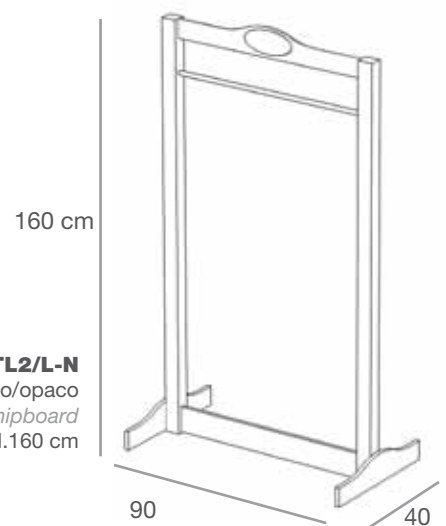




**STENDERS**  
STENDERS



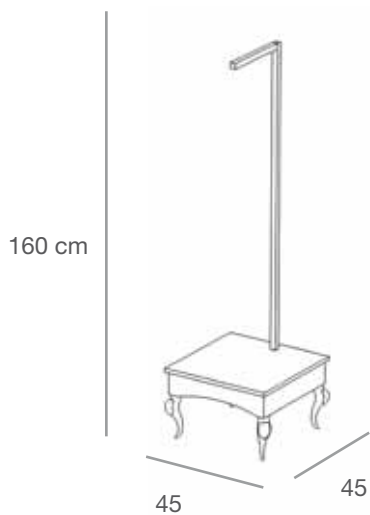
**8STL1/L-N**  
Stender in nobilitato lucido/opaco  
Stender in glossy/matt chipboard  
L.60 x H.160 cm



**8STL2/L-N**  
Stender in nobilitato lucido/opaco  
Stender in glossy/matt chipboard  
L.90 x H.160 cm

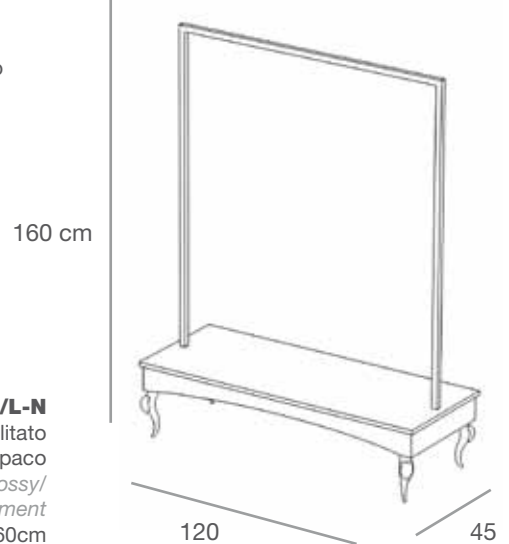


**STENDERS**  
STENDERS



**8ST1/L-N**

Stender in acciaio spazzolato con base in nobilitato lucido/opaco  
*Stender with brushed steel crossbar and glossy/matt chipboard basement*  
 L.45 x P. 45 x H.160cm

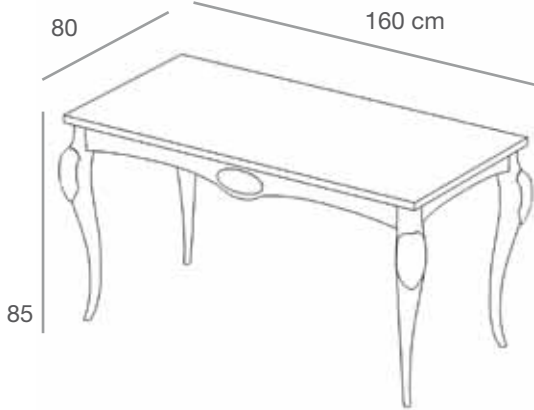


**8ST2/L-N**

Stender in acciaio spazzolato con base in nobilitato lucido/opaco  
*Stender with brushed steel crossbar and glossy/matt chipboard basement*  
 L.120 x P. 45 x H.160cm



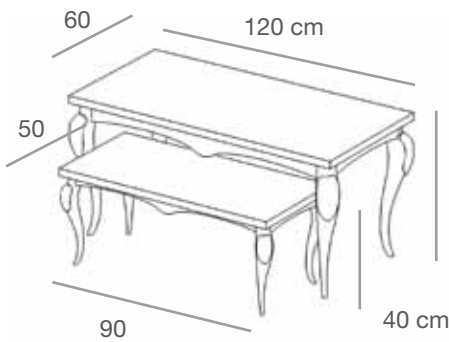
**TAVOLI**  
TABLES



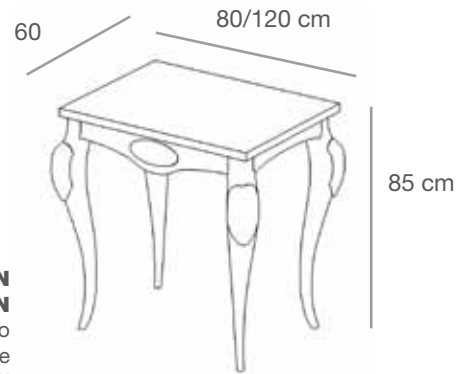
**8TAV1/L**  
Tavolo matrioska grande con piano in nobilitato lucido/opaco e gambe tornite e laccate lucide/opache  
*Matrioska large table with top in glossy/matt chipboard and glossy/matt laquered legs*  
L.160 x P.80 x H.85 cm



**8TAV1/LT-NT**  
Tavolo matrioska grande con piano in nobilitato lucido/opaco, con teca in vetro temprato, cassetto e gambe tornite e laccate lucide/opache  
*Matrioska large table with top in glossy/matt chipboard, tempered glass displaycase with drawer and glossy/matt laquered*  
L.160 x P.80 x H.85 cm



**8TAV2/L-N**  
Tavolo matrioska medio con piano in nobilitato lucido/opaco e gambe tornite e laccate lucide/opache  
*Matrioska medium table with top in glossy/matt chipboard and glossy/matt laquered legs*  
L.120 x P.60 x H.60 cm



**8TAV3/L-N**  
Tavolo matrioska piccolo con piano in nobilitato lucido/opaco e gambe tornite e laccate lucide/opache  
*Matrioska small table with top in glossy/matt chipboard and glossy/matt laquered legs*  
L.90 x P.50 x H.40 cm

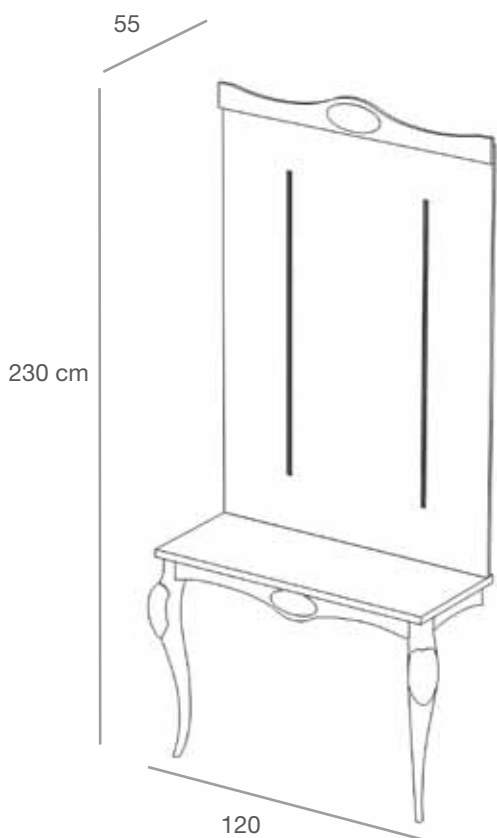
**8TAV120/L-N**  
**8TAV80/L-N**  
Tavolo desk con piano in nobilitato lucido/opaco e gambe tornite e laccate lucide/opache  
*Desk table with top in glossy/matt chipboard and glossy/matt laquered legs*  
L.120 x P.60 x H.85 cm  
L.80 x P.60 x H.85 cm





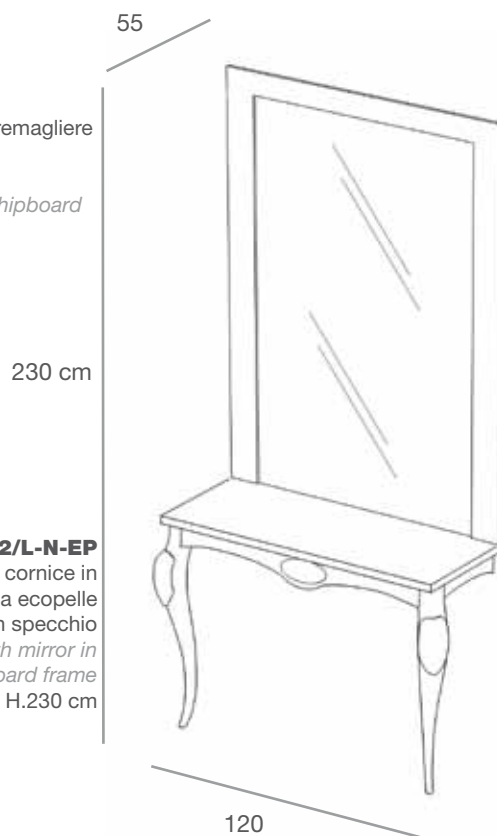


**CONSOLLE**  
CONSOLLE



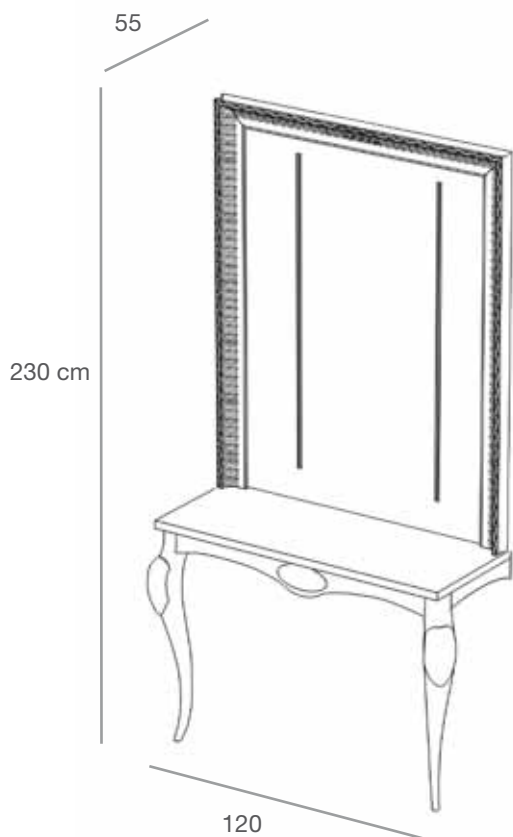
**8CONS1/L-N-EP**

Consolle in nobilitato con pannello e cremagliere lucido/opaco o rivestito ecopelle  
*Consolle with back racks panel in glossy/matt or ecoleather covered chipboard*  
L.120 x P.55 x H.230 cm



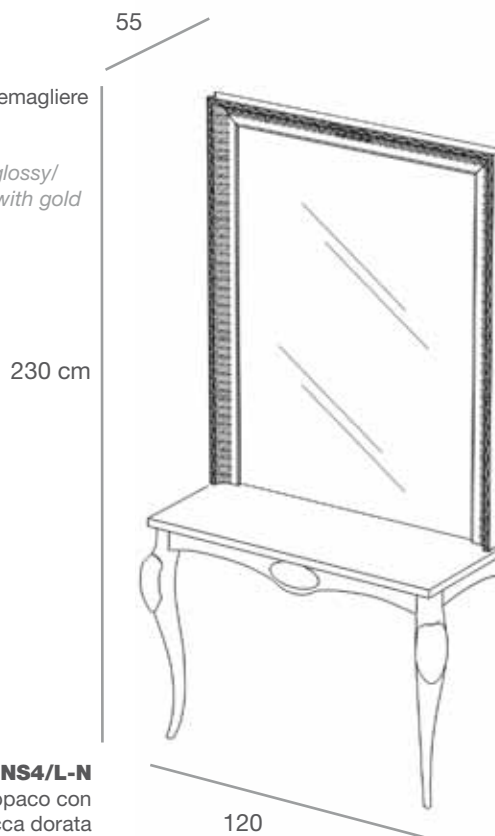
**8CONS2/L-N-EP**

Consolle in nobilitato lucido/opaco con cornice in nobilitato lucido/opaco o rivestita ecopelle con specchio  
*Consolle in glossy/matt chipboard with mirror in glossy/matt or ecoleather covered chipboard frame*  
L.120 x P.55 x H.230 cm



**8CONS3/L-N-EP**

Consolle in nobilitato con pannello e cremagliere lucido/opaco o rivestito ecopelle con cornice barocca dorata  
*Consolle with backpanel with racks in glossy/matt or ecoleather covered chipboard with gold baroque frame*  
L.120 x P.55 x H.230 cm



**8CONS4/L-N**

Consolle in nobilitato lucido/opaco con specchio con cornice barocca dorata  
*Consolle in glossy/matt chipboard with mirror with gold baroque frame*  
L.120 x P.55 x H.230 cm

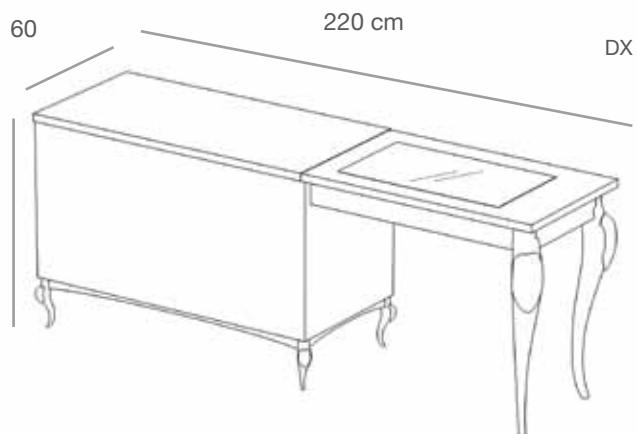


**BANCHI CASSA**  
CASH COUNTERS

**8BC1DX/L-N-EP**

Banco cassa destro con parte tavolo in nobilitato lucido/  
opaco con teca in vetro, parte desk in nobilitato lucido/  
opaco o rivestita in ecopelle

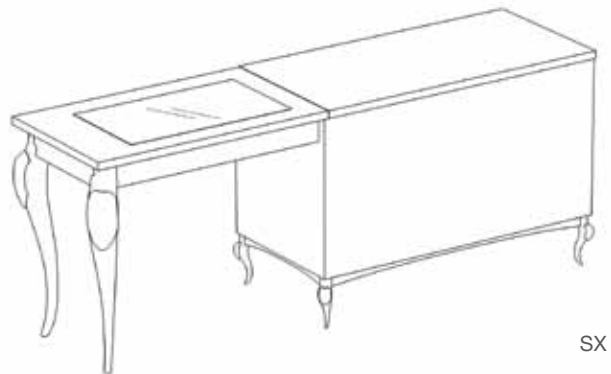
*Right cash counter with table side in glossy/matt chipboard  
with glass display, desk side in glossy/matt chipboard  
or ecoleather covered  
L.220 x P.60 x H.85 cm*



**8BC1SX/L-N-EP**

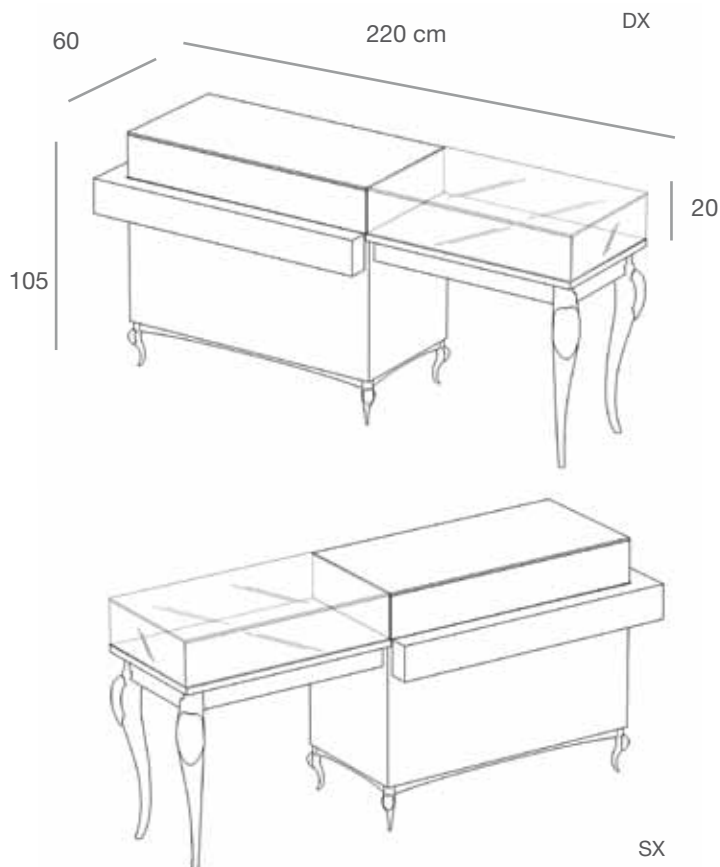
Banco cassa sinistro con parte tavolo in nobilitato lucido/  
opaco con teca in vetro, parte desk in nobilitato lucido/  
opaco o rivestita in ecopelle

*Left cash counter with table side in glossy/matt chipboard  
with glass display, desk side in glossy/matt chipboard or  
ecoleather covered  
L.220 x P.60 x H.85 cm*



RETRO  
BACK





**8BC2DX/L-N-EP**

Banco cassa destro con parte tavolo in nobilitato lucido/opaco con vetrina in vetro, parte desk in nobilitato lucido/opaco con inserto rivestito in ecopelle

*Right cash counter with table side in glossy/matt chipboard with glass display, desk side in glossy/matt chipboard with inset ecoleather covered L.220 x P.60 x H.105 cm*

**8BC2SX/L-N-EP**

Banco cassa sinistro con parte tavolo in nobilitato lucido/opaco con vetrina in vetro, parte desk in nobilitato lucido/opaco o rivestita in ecopelle

*Left cash counter with table side in glossy/matt chipboard with glass display, desk side in glossy/matt chipboard with inset ecoleather covered L.220 x P.60 x H.105 cm*

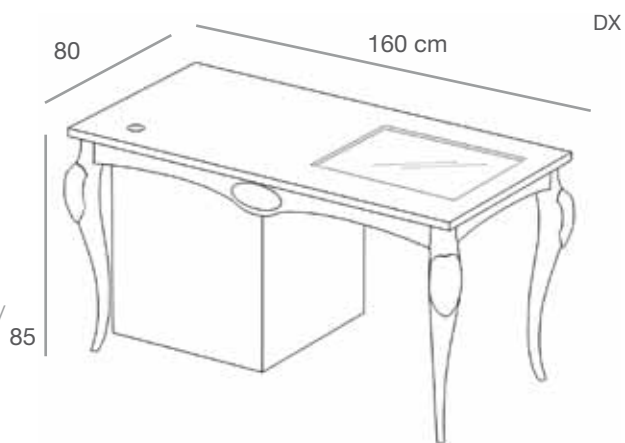
**TAVOLO CASSA**  
**CASH TABLE**

**STAV1DX/LT-NT**

Tavolo cassa destro con piano in nobilitato lucido/opaco, con teca in vetro temprato, cassetto e gambe tornite laccate lucide/opache

*Right cash table with top in glossy/matt chipboard, tempered glass displaycase with drawer and glossy/matt laquered*

L.160 x P.80 x H.85 cm





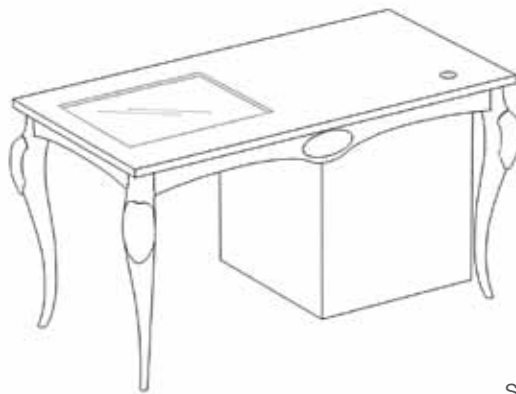


**8TAV1SX/LT-NT**

Tavolo cassa sinistro con piano in nobilitato lucido/opaco, con teca in vetro temprato, cassetto e gambe tornite laccate lucide/opache

*Left cash table with top in glossy/matt chipboard, tempered glass displaycase with drawer and glossy/matt laquered*

L.160 x P.80 x H.85 cm



SX

RETRO  
BACK

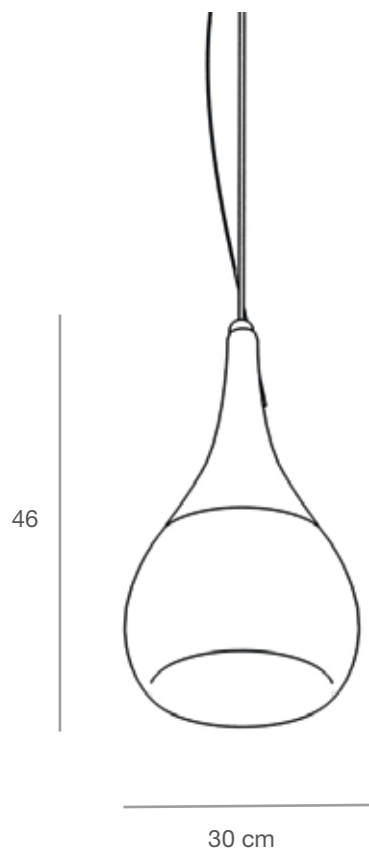




**LAMPADARI**  
**LAMPS**

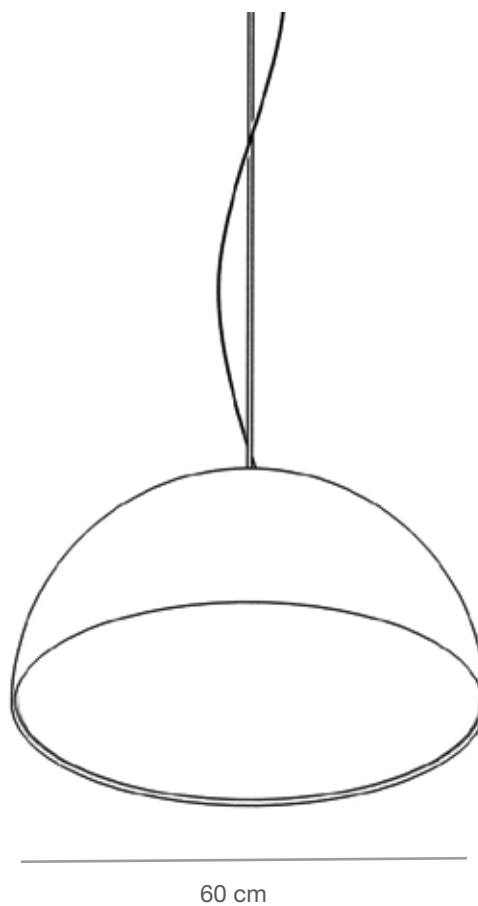
**8LAMP1**

Lampada a sospensione con paralume in ferro bianco/nero lucido/opaco  
*Ceiling lamp with iron lampshade in white/black glossy/matt.*  
Ø 30 x H.46 cm



**8LAMP2**

Lampada a sospensione con paralume in ferro bianco/nero lucido/opaco  
*Ceiling lamp with iron lampshade in white/black glossy/matt.*  
Ø 60 cm

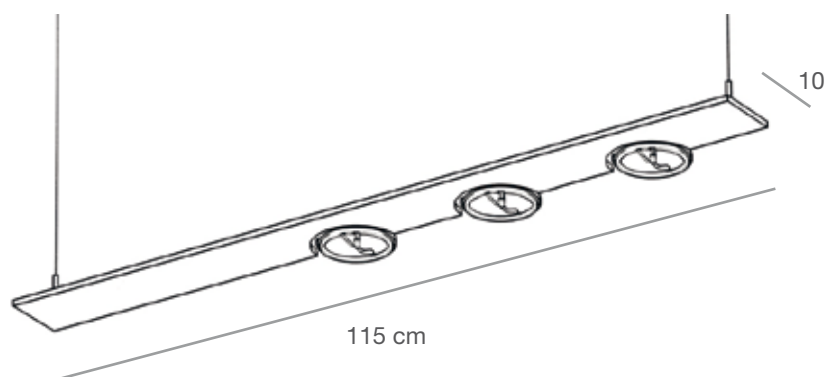




### **8LAMP3**

Lampada a sospensione con struttura in ferro bianco/nero lucido/opaco e tre faretti alogeni

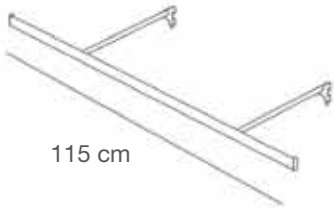
*Ceiling lamp with iron lampshade in white/black glossy/matt, and three alogen spots*  
L.115 x P.10 cm





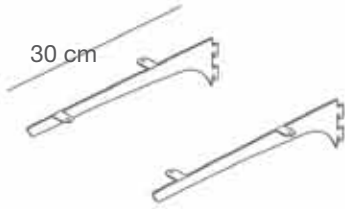


**ACCESSORI**  
**ACCESSORIES**



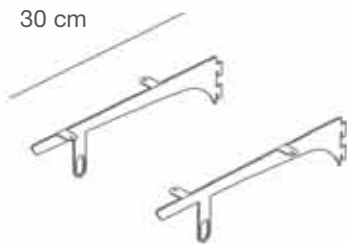
115 cm

**8BAP**  
Barra appenderia  
initura cromo opaco  
*Hanging bar  
matt chromium finishing*  
L.115 cm



30 cm

**8RM/L**  
Coppia staffe reggimensola  
per legno finitura cromo opaco  
*Pair of shelves holder  
for wood matt chromium  
finishing*  
L.30 cm



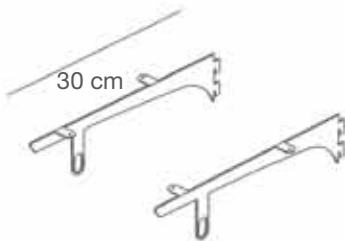
30 cm

**8MEBAP/L**  
Coppia staffe reggimensola legno  
e barra appenderia finitura cromo opaco  
*Pair of wood shelves holders with  
hanging bar matt chromium finishing*



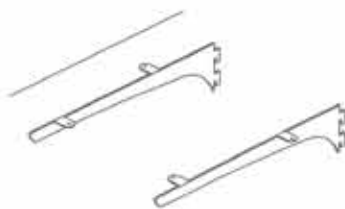
20 cm

**8RMM/L**  
Staffa singola per mensola media  
e piccola in legno finitura cromo opaco  
*Pair of shelves holder for wood  
matt chromium finishing*  
L.20 cm



30 cm

**8MEBAP/V**  
Coppia staffe reggimensola vetro sp.8mm  
e barra appenderia finitura cromo opaco  
*Pair of glass th.8mm shelves holders  
with hanging bar matt chromium finishing*



**8ME/V**  
Coppia staffe reggimensola vetro sp.8mm  
finitura cromo opaco  
*Pair of glass th.8mm shelvesholders  
matt chromium finishing*



40 cm

**8RMM/V**  
Reggimensola media per vetro sp.8mm  
finitura cromo opaco  
*Medium shelves holder for glass th.8mm  
matt chromium finishing*  
L.30 cm



**8RMS/V**  
Reggimensola piccola per vetro sp.8mm  
finitura cromo opaco  
*Small shelves holder for glass th.8mm  
matt chromium finishing*

**8APF**  
Appenderia frontale dritta  
finitura cromo opaco  
*Straight frontal crossbar  
matt chromium finishing*  
L.30 cm



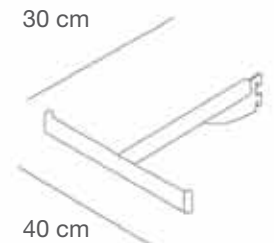
30 cm

**8APFZ**  
Appenderia frontale inclinata  
finitura cromo opaco  
*Tilted frontal crossbar  
matt chromium finishing*  
L.38 cm



38 cm

**8BAP2**  
Barra appenderia piccola  
finitura cromo opaco  
*Straight frontal crossbar  
matt chromium finishing*  
L.40 x P. 30 cm



30 cm

40 cm

**8RT**  
Supporto reggitubo per tubo ovale  
30 x 15 mm  
finitura cromo opaco  
*Holder for oval tube 30 x 15 mm  
matt chromium finishing*



**8BLIST**  
Portablister per tubo ovale 30 x 15  
mm  
finitura cromo opaco  
*Blisterholder for oval tube 30 x 15  
mm  
matt chromium finishing*  
L.20 cm

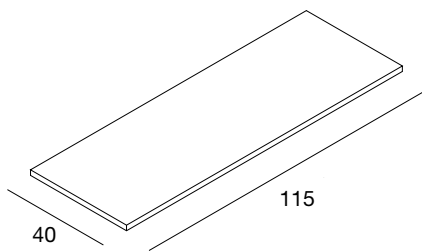


20 cm

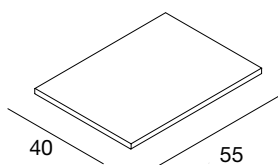
**8TUB**  
Tubo ovale 30 x 15 mm e  
tappi chiusura,  
disponibile misure a richie-  
sta finitura cromo opaco  
*Oval tube 30 x 15 mm and  
closing caps,  
lenght available on request,  
matt chromium finishing.*



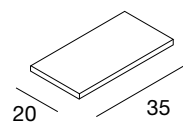
3 cm



**8ME/L**  
mensola in nobilitato lucido  
*shelf in glossy faced panel*  
L115 x P40 cm – sp 18 mm



**8MEM/L**  
mensola in nobilitato lucido  
*shelf in glossy faced panel*  
L55 x P40 cm – sp 18 mm



**8MES/L**  
mensola in nobilitato lucido  
*shelf in glossy faced panel*  
L35 x P20 cm – sp 18 mm

**8ME/N**  
mensola in nobilitato  
*shelf in faced panel*  
L115 x P40 cm – sp 18 mm

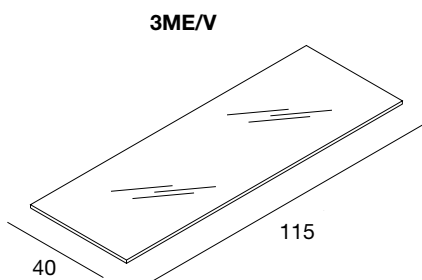
**8MEM/N**  
mensola in nobilitato  
*shelf in faced panel*  
L55 x P40 cm – sp 18 mm

**8MES/N**  
mensola in nobilitato  
*shelf in faced panel*  
L35 x P20 cm – sp 18 mm

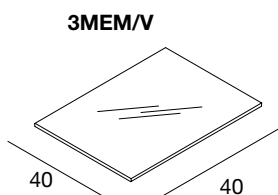
**8ME/ST**  
mensola in nobilitato  
*shelf in faced panel*  
L115 x P40 cm – sp 18 mm

**8MEM/ST**  
mensola in nobilitato  
*shelf in faced panel*  
L 55 x P40 cm – sp 18 mm

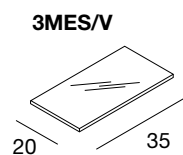
**8MES/ST**  
mensola in nobilitato  
*shelf in faced panel*  
L35 x P20 cm – sp 18 mm



**3ME/V**  
mensola in vetro temprato  
*shelf in tempered glass*  
L115 x P40 cm – sp 8 mm



**3MEM/V**  
mensola in vetro temprato  
*shelf in tempered glass*  
L40 x P40 cm – sp 8 mm



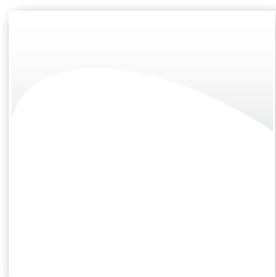
**3MES/V**  
mensola in vetro temprato  
*shelf in tempered glass*  
L35 x P20 cm – sp 8 mm



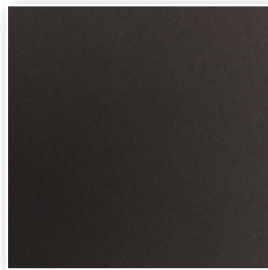
**COLORI E FINITURE**  
*COLOURS AND FINISHINGS*



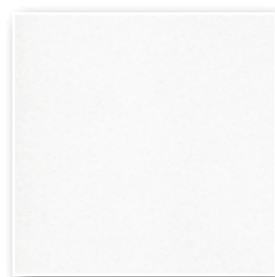
**NERO LUCIDO**  
*GLOSSY BLACK*



**BIANCO LUCIDO**  
*GLOSSY WHITE*



**NERO OPACO**  
*MATT BLACK*



**BIANCO OPACO**  
*MATT WHITE*

**METALLI**  
*METALS*



**ACCIAIO SPAZZOLATO**  
*BRUSHED STEEL*



**CROMO OPACO**  
*CHROMIUM MATT*

**ECOPELLI**  
*ECOLEATHER*



**DAMASCO PERLA**  
*DAMASCO PEARL*



**DAMASCO NERO**  
*DAMASCO BLACK*



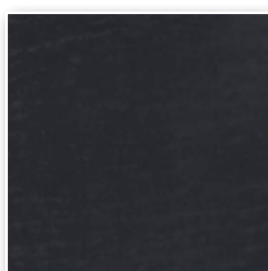
**DAMASCO PLATINO**  
*DAMASCO PLATINUM*



**DAMASCO GRIGIO**  
*DAMASCO GREY*



**MOIRE' BIANCO**  
*WHITE MOIRE'*



**MOIRE' GRIGIO**  
*GREY MOIRE'*



**MOIRE' TABACCO**  
*TOBACCO MOIRE'*



**MOIRE' ROSSO**  
*RED MOIRE'*

## MADE IN ITALY



### CONDIZIONI GENERALI DI VENDITA

- La merce viene controllata prima della spedizione. Il vettore è il solo responsabile di eventuali danni. Spetta al cliente controllare la merce all'atto del ritiro e contestare subito al vettore le eventuali avarie e mancanze. Reclami non relativi al trasporto devono essere presentati entro 8 giorni dalla data di ricevimento della merce. Dopo tale termine la merce si intende integralmente accettata.
- La Brugnotto shop interiors si riserva di apportare variazioni tecniche, dimensionali, estetiche a materiali e prodotti.
- Non verranno accettati resi di merce se non preventivamente autorizzati per iscritto da Brugnotto shop interiors. Il reso sarà sempre spedito alla nostra sede franco ogni spesa e adeguatamente imballato nella scatola originale. Imballaggi inadeguati che comportino danni all'articolo, autorizzeranno Brugnotto shop interiors ad addebitare il costo.
- Per qualsiasi controversia il Foro competente sarà quello di Treviso.

### GENERAL TERMS OF SALE

- *The goods are checked before any shipment. The carrier is the one responsible for any damage. It's up to the customer to check the goods upon collection and contest immediately the carrier for any lacking or damage.*
- *Brugnotto shop interiors reserves the right to bring any technical, size and aesthetical modifications to the products.*
- *Returned good will not be accepted unless previously authorized by Brugnotto shop interiors in writing by written letter. Returned goods must always be sent to our main offices free of all charges and properly packaged in their original box. Improper boxing, resulting in damage to the item, will authorize Brugnotto shop interiors to charge its cost. The purchaser, under no circumstances, will have a claim on any type of compensation. Penalties may be taken into consideration only upon previous written agreements.*
- *Any dispute will be resolved at the place of jurisdiction of Treviso (Italy).*

**BRUGNOTTO®**  
SHOP INTERIORS

Brugnotto s.r.l.  
Via delle Industrie 10  
31050 ZENSON DI PIAVE (TV)  
ITALIA  
Tel. +39 0421 344575 - Fax +39 0421 344226

**[www.shopinteriors.it](http://www.shopinteriors.it)**  
**[info@shopinteriors.it](mailto:info@shopinteriors.it)**

